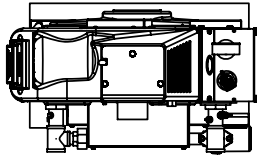
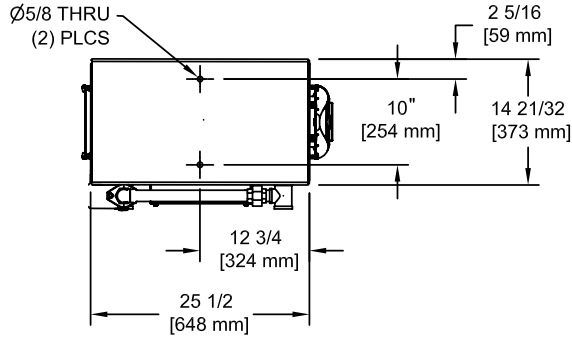


KN-2

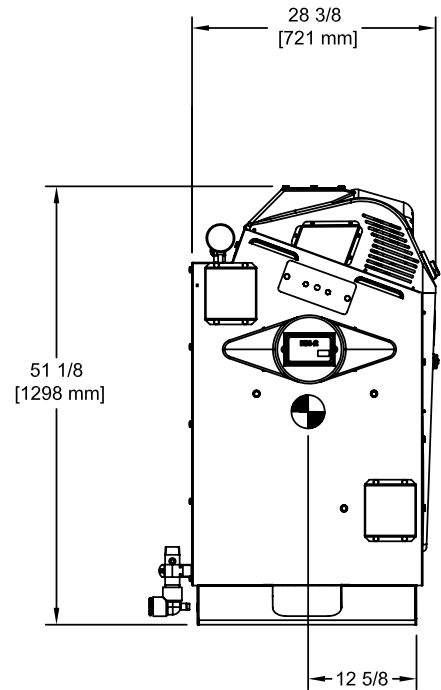
Category II or Category IV Appliance
 (see Installation and Operation Manual for venting information)



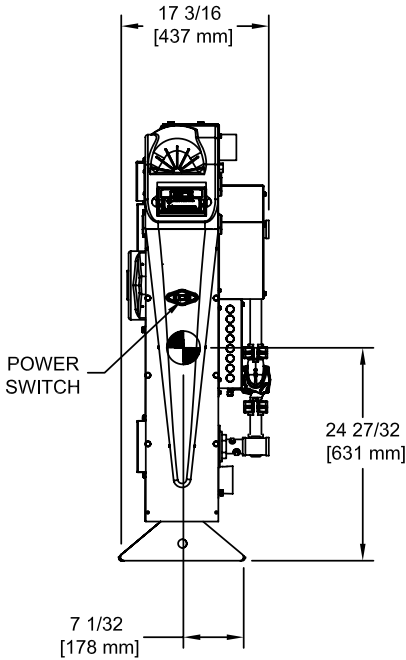
TOP
 HSUB-7 REV. E



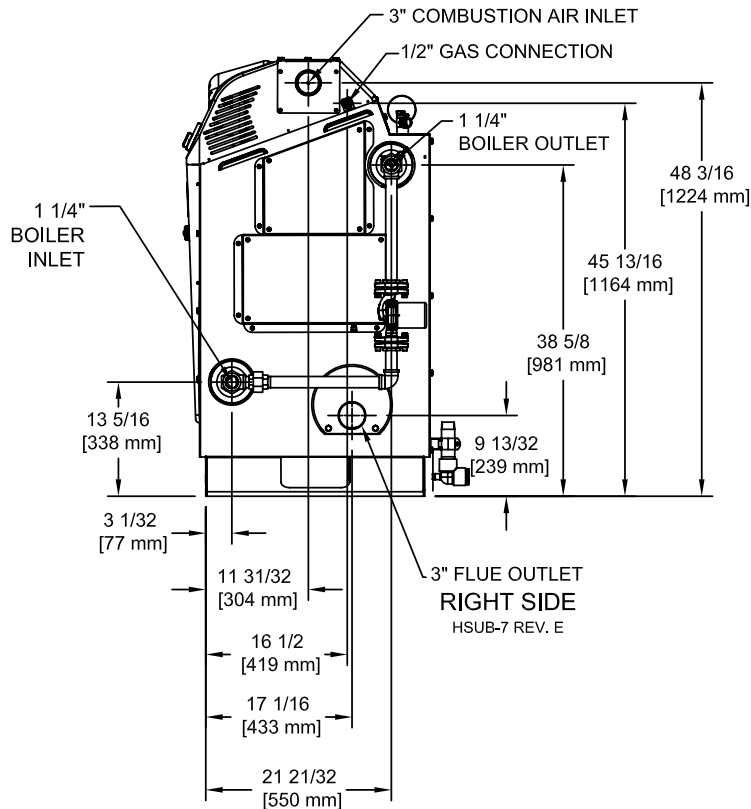
BOTTOM
 HSUB-7 REV. E



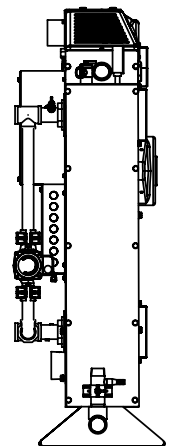
LEFT SIDE
 HSUB-7 REV. E



FRONT
 HSUB-7 REV. E



RIGHT SIDE
 HSUB-7 REV. E



REAR
 HSUB-7 REV. E



A.G.A. CERTIFIED RATINGS & CAPACITIES

Fuel Type	Natural/LP Gas	Boiler FLA	2.5 A*
Input BTU/hr.	199 MBH / 59 KW	Min. Gas Pressure Required	2" W.C.
Output BTU/hr.	179 MBH / 53 KW	Max. Gas Pressure Allowed	14" W.C.
Boiler HP	5.4	Water Volume	3.9 gal.
Electrical Requirements	120VAC/ 60 hz/ 1PH	Operating Weight	563 lbs. / 256 kg.

BOILER TRIM & CONTROLS

Main Gas Valve	Dungs GB-WND	Air Switch	Cleveland NS-2
Ignition Control	Fenwal 35-60	Blower Motor	Ametek
Operating Control	HeatNet®	Relief Valve	30, 50, 75 & 100 PSI
High Limit	P-SW-13004-X		

A.S.M.E.

ASME Sect IV Fire Side Htg Surface	13.30 Sq. Ft. / 1.23 Sq. M.	Design Data	100 PSI & 250°F
ASME Sect IV Water Side Htg Surface	14.22 Sq. Ft. / 1.32 Sq. M.		
CV. GPM (1PSID)	20		

*Add circulator amps.

TEMPERATURE RISE / PRESSURE DROP (Based on Full Input)

20°F / 11.1°C				40°F / 22.2°C				60°F / 33.3°C				80°F / 44.4°C				100°F / 55.5°C			
Flow Rate		Pressure Drop		Flow Rate		Pressure Drop		Flow Rate		Pressure Drop		Flow Rate		Pressure Drop		Flow Rate		Pressure Drop	
GPM	L/s	Ft	kPa	GPM	L/s	Ft	kPa	GPM	L/s	Ft	kPa	GPM	L/s	Ft	kPa	GPM	L/s	Ft	kPa
18.0	1.14	1.87	5.6	9.0	.57	.47	1.40	6.00	.38	.21	.62	4.5	.28	.12	.35	3.6	.23	.07	.22

Flow GPM		Temp. Rise** (°F)		Vent Length (Equiv. Ft.)		Air Inlet Length (Equiv. Ft.)	
Min	Max	Min	Max	Min	Max	Min	Max
3.6	18.0	20	100	6	100	0	100

**Min/Max delta t reflects boiler operation at full input. For applications requiring operation above/below these parameters please consult factory.

REP FIRM	_____
SUBMITTED BY	_____
JOB NAME	_____
ARCHITECT	_____
ENGINEER	_____
CONTRACTOR	_____
DATE	_____

KN-2

Category II or Category IV Appliance
(see Installation and Operation Manual for venting information)



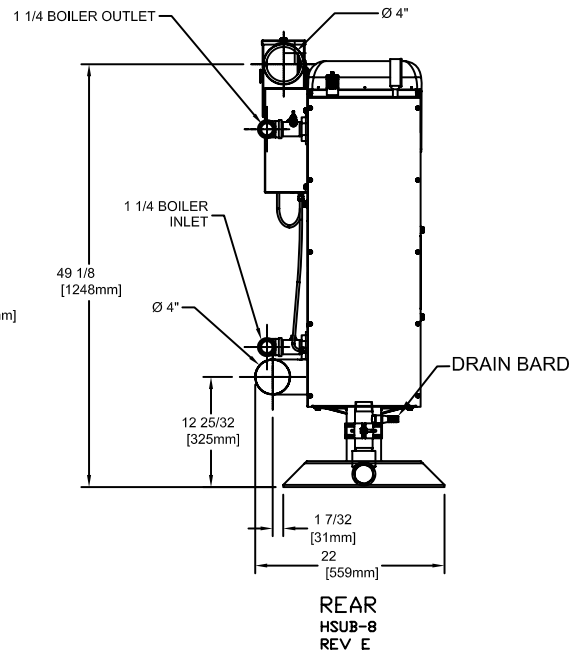
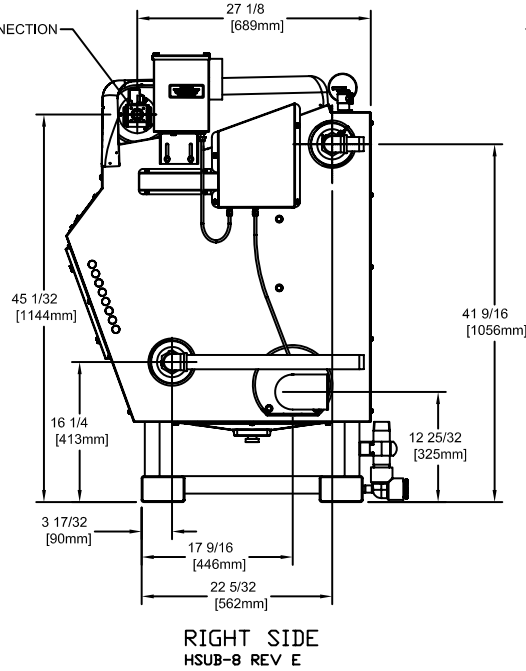
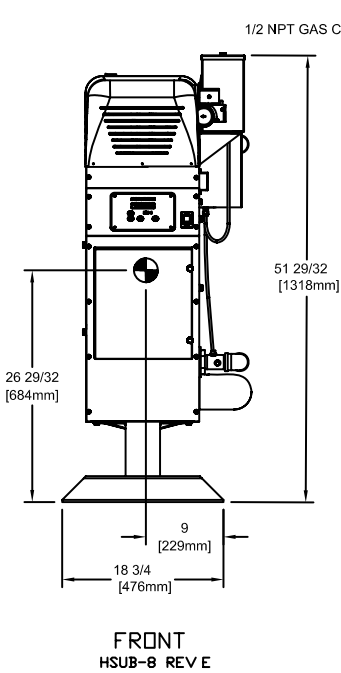
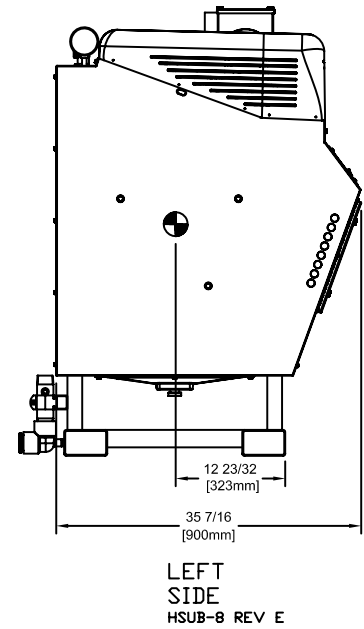
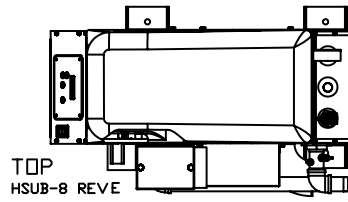
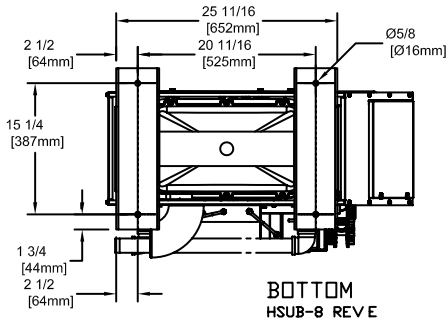
A Division of Mestek, Inc.
Westfield, MA 01085
(413) 564-5515

KN-4

Category II or Category IV Appliance
 (see Installation and Operation Manual for venting information)

CODE OPTIONS

CSD-1	STANDARD
-------	----------



A.G.A. CERTIFIED RATINGS & CAPACITIES

Fuel Type	Natural/LP Gas	Boiler FLA	5 A*
Input BTU/hr.	399 MBH / 117 KW	Min. Gas Pressure Required	2" W.C.
Output BTU/hr.	359 MBH / 105 KW	Max. Gas Pressure Allowed	14" W.C.
Boiler HP	10.7	Water Volume	5.9 gal.
Electrical Requirements	120VAC/ 60 hz/ 1PH	Operating Weight	827 lbs. / 375 kg.

BOILER TRIM & CONTROLS

Main Gas Valve	Dungs GB-WND	Air Switch	Cleveland NS-2
Ignition Control	Fenwal 35-60	Blower Motor	Ametek
Operating Control	HeatNet®	Relief Valve	30, 50, 75 & 100 PSI
High Limit	P-SW-1300-4-X		

A.S.M.E.

ASME Sect IV Fire Side Htg Surface	19.95 Sq. Ft. / 1.85 Sq. M.	Design Data	100 PSI & 250°F
ASME Sect IV Water Side Htg Surface	21.33 Sq. Ft. / 1.98 Sq. M.		
CV. GPM (1PSID)	40		

*Add circulator amps.

TEMPERATURE RISE / PRESSURE DROP (Based on Full Input)

20°F / 11.1°C				40°F / 22.2°C				60°F / 33.3°C				80°F / 44.4°C				100°F / 55.5°C			
Flow Rate		Pressure Drop		Flow Rate		Pressure Drop		Flow Rate		Pressure Drop		Flow Rate		Pressure Drop		Flow Rate		Pressure Drop	
GPM	L/s	Ft	kPa	GPM	L/s	Ft	kPa	GPM	L/s	Ft	kPa	GPM	L/s	Ft	kPa	GPM	L/s	Ft	kPa
36.0	2.30	1.90	5.60	18.0	1.10	.50	1.40	12.0	.80	.21	.60	9.00	.60	.12	.30	7.2	.50	.07	.22

Flow GPM				Temp. Rise** (°F)				Vent Length (Equiv. Ft.)				Air Inlet Length (Equiv. Ft.)			
Min		Max		Min		Max		Min		Max		Min		Max	
7.2		36		20		100		6		100		0		100	

**Min/Max delta t reflects boiler operation at full input. For applications requiring operation above/below these parameters please consult factory.

REP FIRM	_____
SUBMITTED BY	_____
JOB NAME	_____
ARCHITECT	_____
ENGINEER	_____
CONTRACTOR	_____
DATE	_____

KN-4

Category II or Category IV Appliance
(see Installation and Operation Manual for venting information)



A Division of Mestek, Inc.
Westfield, MA 01085
(413) 564-5515

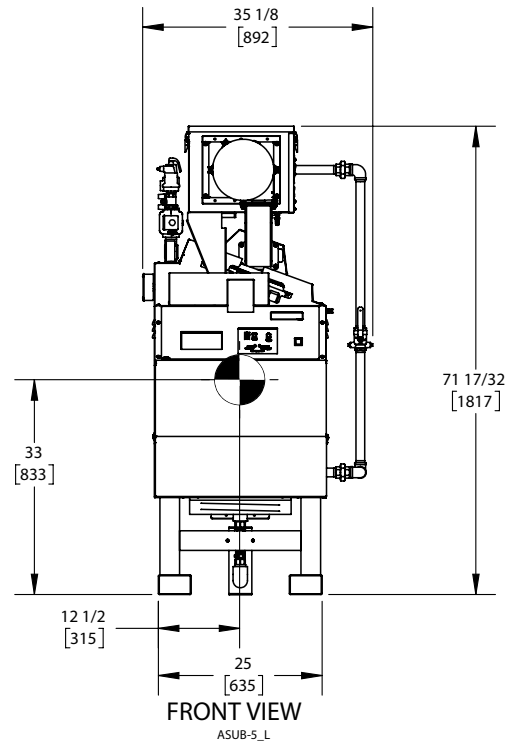
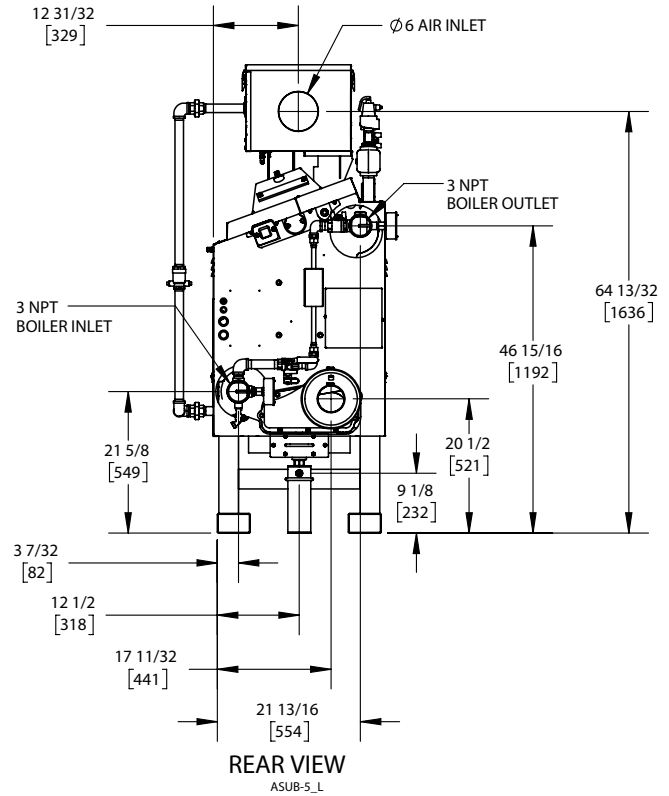
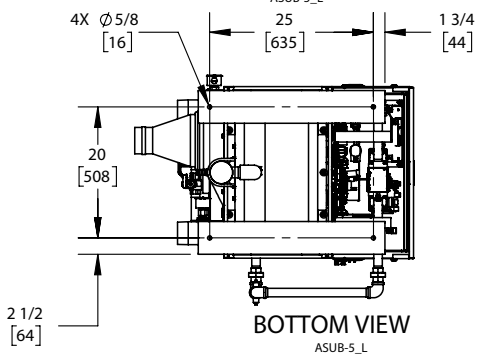
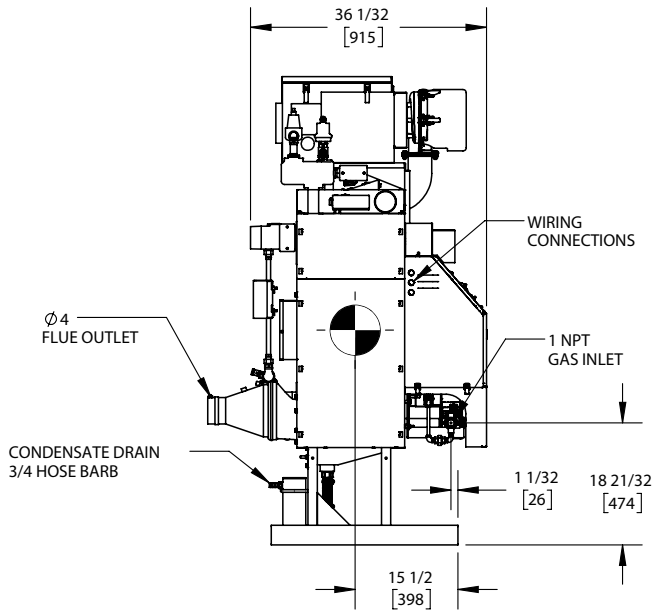
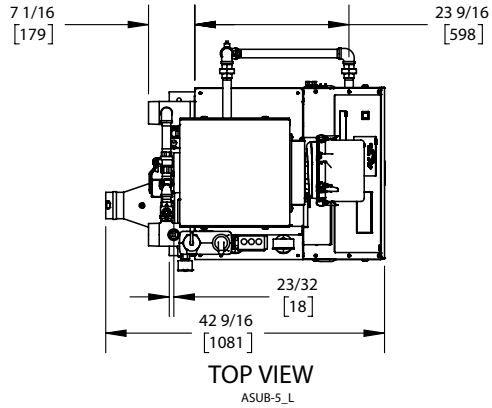
KN-6

Category II or Category IV Appliance
(see Installation and Operation Manual for venting information)

CODE OPTIONS

CSD-1	STANDARD
-------	----------

INDOOR UNIT



NOTES:

1. SYMBOL INDICATES CENTER OF GRAVITY.
2. DIMENSIONS ARE NOMINAL AND SUBJECT TO MANUFACTURING VARIATION AND SHOULD NOT BE USED FOR "ROUGHING IN".
3. ALL DIMENSIONS ARE INCHES [mm].



A.G.A. CERTIFIED RATINGS & CAPACITIES

Fuel Type	Natural/LP Gas	Boiler FLA	13.1 A*
Input BTU/hr.	600 MBH / 176 KW	Min. Gas Pressure Required	3" W.C.
Output BTU/hr.	540 MBH / 158 KW	Max. Gas Pressure Allowed	14" W.C.
Boiler HP	16.3	Water Volume	7.9 gal.
Electrical Requirements	120VAC/ 60 hz/ 1PH	Operating Weight	1150 lbs. / 522 kg.
SCCR Rating	5kA		

BOILER TRIM & CONTROLS

Main Gas Valve	Dungs MBC	Air Switch	Huba
Firing Valve	1" Apollo	Flow Sensor	SIKA
Ignition Control	Honeywell RM7895C	Blocked Flue Switch	Cleveland NS2
Operating Control	HeatNet®	Blower Motor	Ametek
High Limit	Honeywell L4006E	L.W.C.O.	800
Main Ball Valve	1" Apollo	Relief Valve	30, 50, 75 & 100 PSI
Pilot Cock	1/4" Conbraco	Pilot Regulator	Maxitrol RV12LT

A.S.M.E.

ASME Sect IV Fire Side Htg Surface	26.60 Sq. Ft. / 2.47 Sq. M.	Design Data	100 PSI & 250°F
ASME Sect IV Water Side Htg Surface	28.44 Sq. Ft. / 2.64 Sq. M.		
CV. GPM (1PSID)	62		

*Add circulator amps.

TEMPERATURE RISE / PRESSURE DROP (Based on Full Input)

20°F / 11.1°C				40°F / 22.2°C				60°F / 33.3°C				80°F / 44.4°C				100°F / 55.5°C			
Flow Rate		Pressure Drop		Flow Rate		Pressure Drop		Flow Rate		Pressure Drop		Flow Rate		Pressure Drop		Flow Rate		Pressure Drop	
GPM	L/s	Ft	kPa	GPM	L/s	Ft	kPa	GPM	L/s	Ft	kPa	GPM	L/s	Ft	kPa	GPM	L/s	Ft	kPa
54.0	3.40	1.75	5.20	27.0	1.70	.44	1.30	18.0	1.10	.19	.60	13.5	.90	.11	.30	10.8	.70	.07	.20

Flow GPM		Temp. Rise** (°F)		Vent Length (Equiv. Ft.)		Air Inlet Length (Equiv. Ft.)	
Min	Max	Min	Max	Min	Max	Min	Max
10.8	54.0	20	100	6	120	0	120

**Min/Max delta t reflects boiler operation at full input. For applications requiring operation above/below these parameters please consult factory.

REP FIRM	_____
SUBMITTED BY	_____
JOB NAME	_____
ARCHITECT	_____
ENGINEER	_____
CONTRACTOR	_____
DATE	_____

KN-6

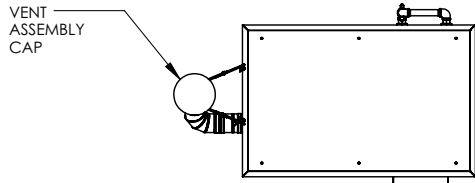
Category II or Category IV Appliance
(see Installation and Operation Manual for venting information)



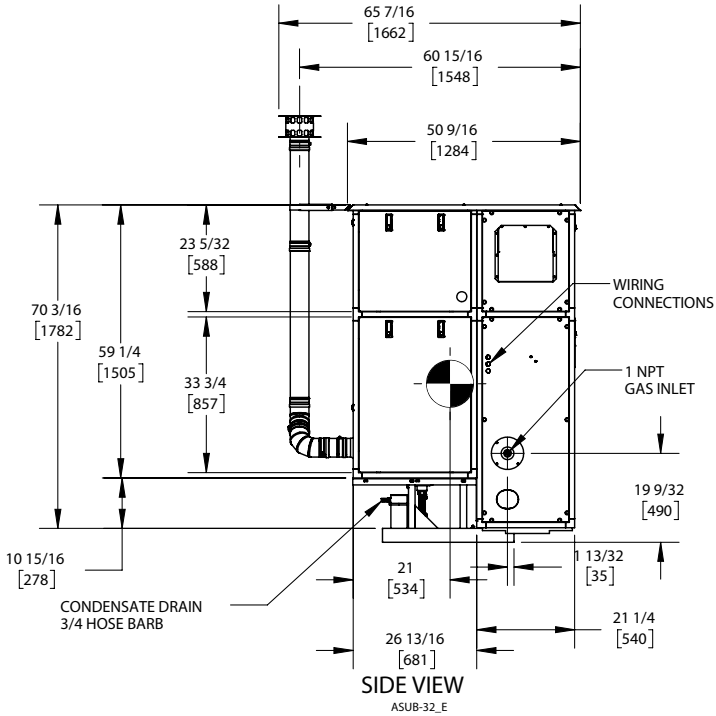
A Division of Mestek, Inc.
Westfield, MA 01085
(413) 564-5515

KN-6

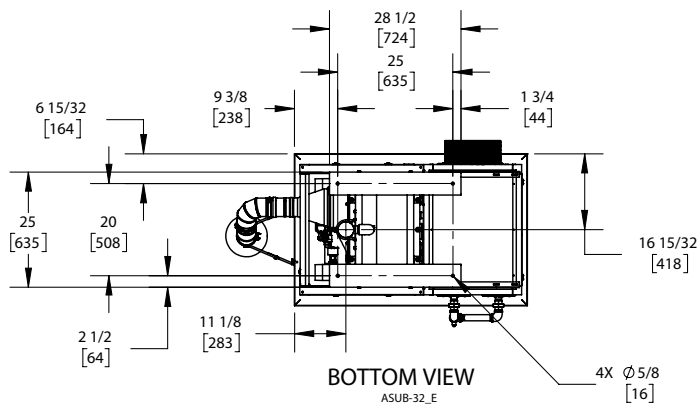
OUTDOOR UNIT



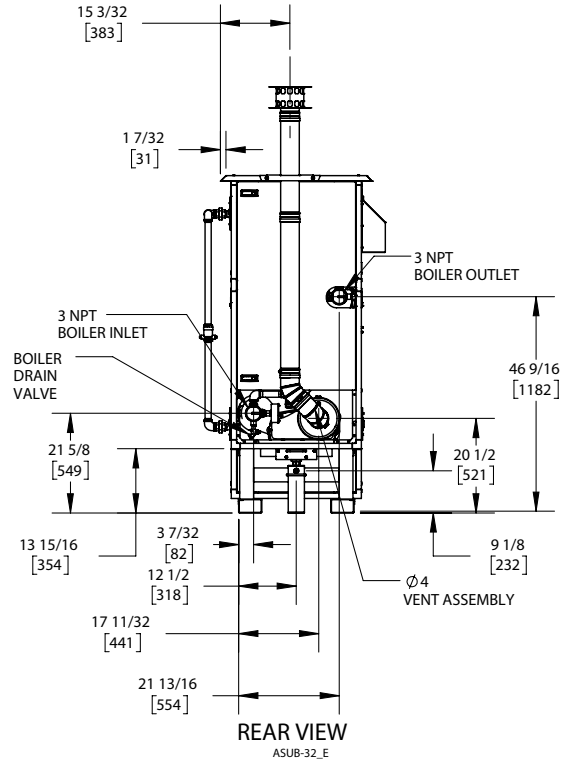
TOP VIEW
ASUB-32_E



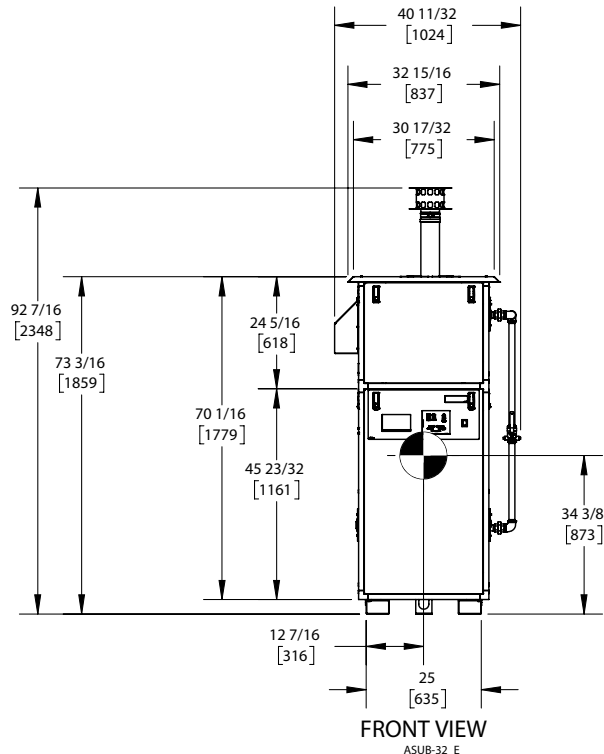
SIDE VIEW
ASUB-32_E



BOTTOM VIEW
ASUB-32_E



REAR VIEW
ASUB-32_E



FRONT VIEW
ASUB-32_E

NOTES:

1. SYMBOL INDICATES CENTER OF GRAVITY.
2. DIMENSIONS ARE NOMINAL AND SUBJECT TO MANUFACTURING VARIATION AND SHOULD NOT BE USED FOR "ROUGHING IN".
3. ALL DIMENSIONS ARE INCHES [mm].

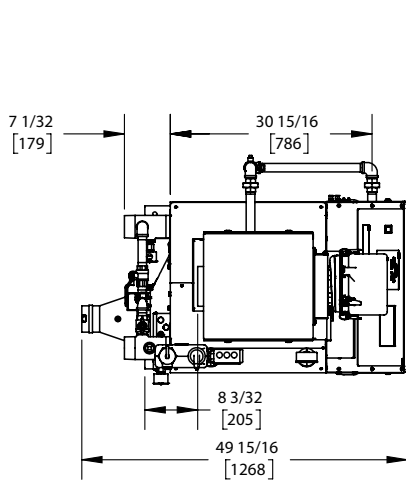
KN-10

Category II or Category IV Appliance
(see Installation and Operation Manual for venting information)

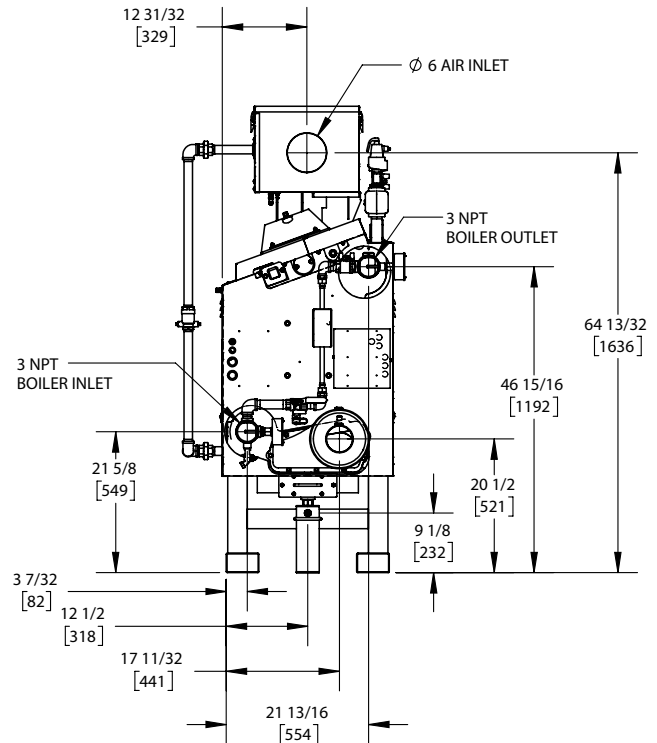
CODE OPTIONS

CSD-1	STANDARD
-------	----------

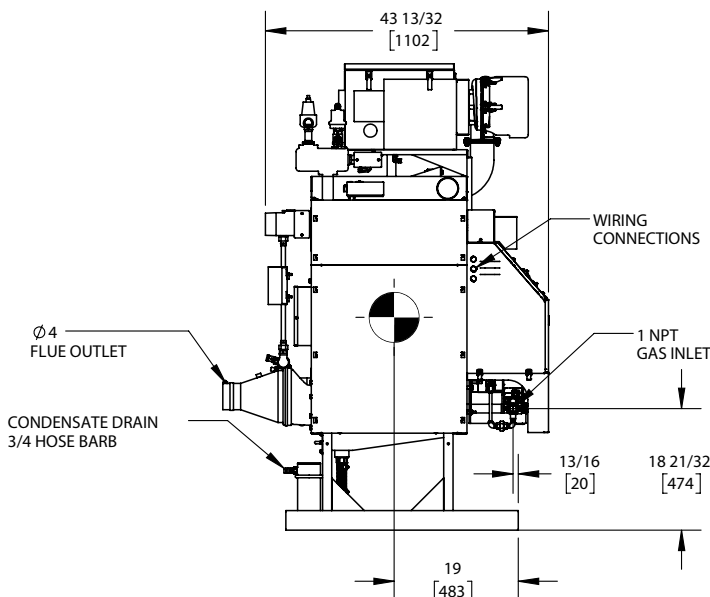
INDOOR UNIT



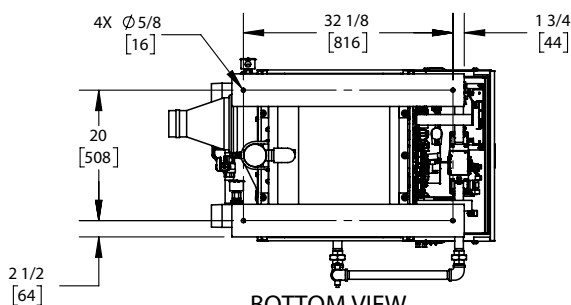
TOP VIEW
ASUB-4_L



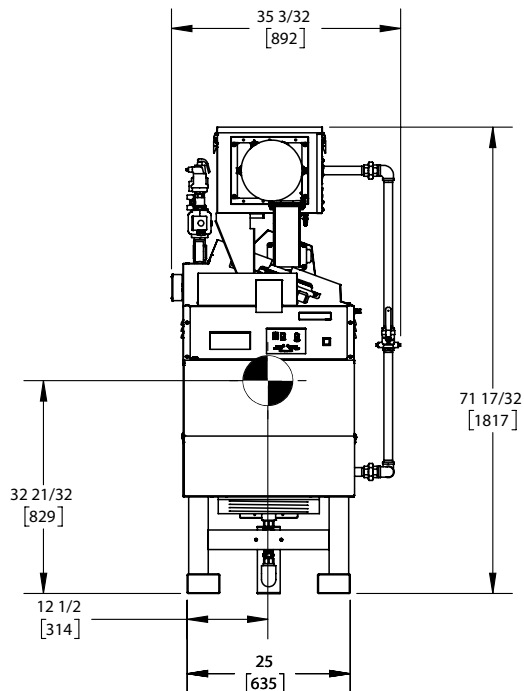
REAR VIEW
ASUB-4_L



SIDE VIEW
ASUB-4_L



BOTTOM VIEW
ASUB-4_L



FRONT VIEW
ASUB-4_L

NOTES:

1. SYMBOL INDICATES CENTER OF GRAVITY.
2. DIMENSIONS ARE NOMINAL AND SUBJECT TO MANUFACTURING VARIATION AND SHOULD NOT BE USED FOR "ROUGHING IN".
3. ALL DIMENSIONS ARE INCHES (mm).



A.G.A. CERTIFIED RATINGS & CAPACITIES

Fuel Type	Natural/LP Gas	Boiler FLA	13.1 A*
Input BTU/hr.	1000 MBH / 293 KW	Min. Gas Pressure Required	3" W.C.
Output BTU/hr.	900 MBH / 264 KW	Max. Gas Pressure Allowed	14" W.C.
Boiler HP	26.9	Water Volume	11.9 gal.
Electrical Requirements	120VAC/ 60 hz/ 1PH	Operating Weight	1557 lbs. / 707 kg.
SCCR Rating	5kA		

BOILER TRIM & CONTROLS

Main Gas Valve	Dungs MBC	Air Switch	Huba
Firing Valve	1 1/4" Apollo	Flow Sensor	SIKA
Ignition Control	Honeywell RM7895C	Blocked Flue Switch	Cleveland NS2
Operating Control	HeatNet®	Blower Motor	Ametek
High Limit	Honeywell L4006E	L.W.C.O.	800
Main Ball Valve	1 1/4" Apollo	Relief Valve	30, 50, 75 & 100 PSI
Pilot Cock	1/4" Conbraco	Pilot Regulator	Maxitrol RV12LT

A.S.M.E.

ASME Sect IV Fire Side Htg Surface	39.89 Sq. Ft. / 3.71 Sq. M.	Design Data	100 PSI & 250°F
ASME Sect IV Water Side Htg Surface	42.65 Sq. Ft. / 3.96 Sq. M.		
CV. GPM (1PSID)	100		

*Add circulator amps.

TEMPERATURE RISE / PRESSURE DROP (Based on Full Input)

20°F / 11.1°C				40°F / 22.2°C				60°F / 33.3°C				80°F / 44.4°C				100°F / 55.5°C			
Flow Rate		Pressure Drop		Flow Rate		Pressure Drop		Flow Rate		Pressure Drop		Flow Rate		Pressure Drop		Flow Rate		Pressure Drop	
GPM	L/s	Ft	kPa	GPM	L/s	Ft	kPa	GPM	L/s	Ft	kPa	GPM	L/s	Ft	kPa	GPM	L/s	Ft	kPa
90.0	5.70	1.87	5.60	45.0	2.80	.47	1.40	30.0	1.90	.21	.60	22.5	1.40	.12	.30	18.0	1.10	.07	.20

Flow GPM		Temp. Rise** (°F)		Vent Length (Equiv. Ft.)		Air Inlet Length (Equiv. Ft.)	
Min	Max	Min	Max	Min	Max	Min	Max
18.0	90.0	20	100	6	120***	0	120

**Min/Max delta t reflects boiler operation at full input. For applications requiring operation above/below these parameters please consult factory.

***A maximum equivalent length of 80 ft. utilizing 4" vent diameter and 120 ft. utilizing 5" vent diameter.

REP FIRM	_____
SUBMITTED BY	_____
JOB NAME	_____
ARCHITECT	_____
ENGINEER	_____
CONTRACTOR	_____
DATE	_____

KN-10

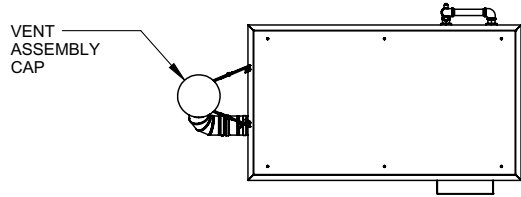
Category II or Category IV Appliance
(see Installation and Operation Manual for venting information)



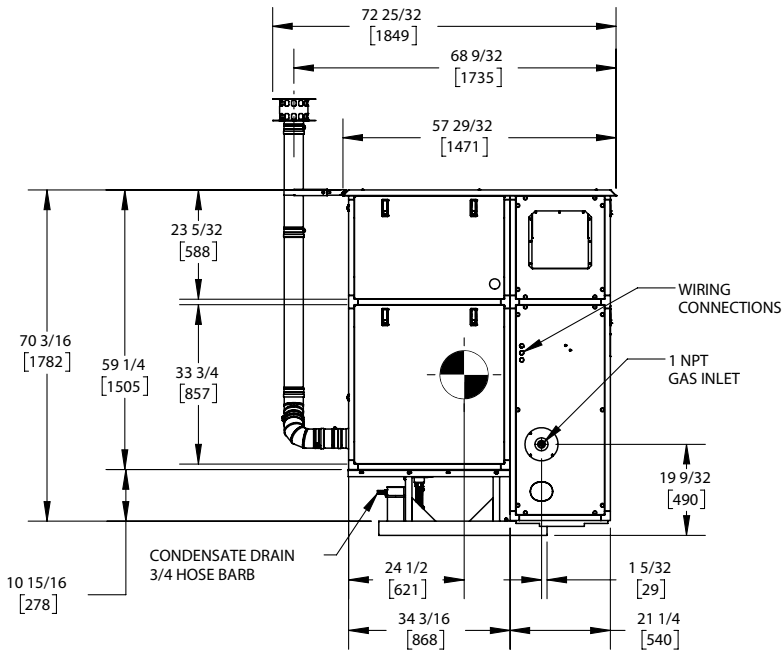
A Division of Mestek, Inc.
Westfield, MA 01085
(413) 564-5515

KN-10

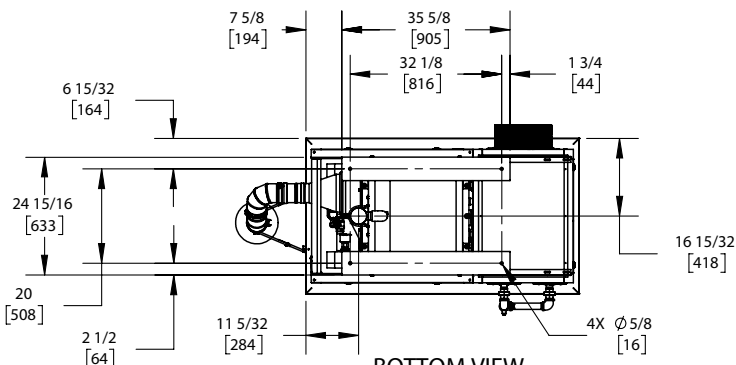
OUTDOOR UNIT



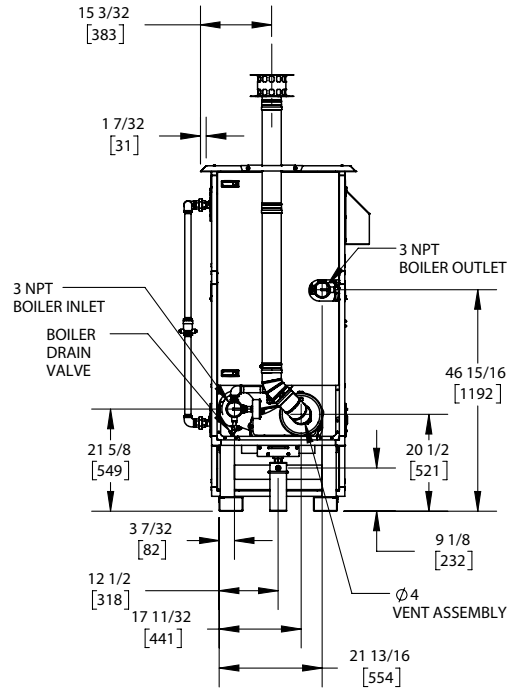
TOP VIEW
ASUB-33_E



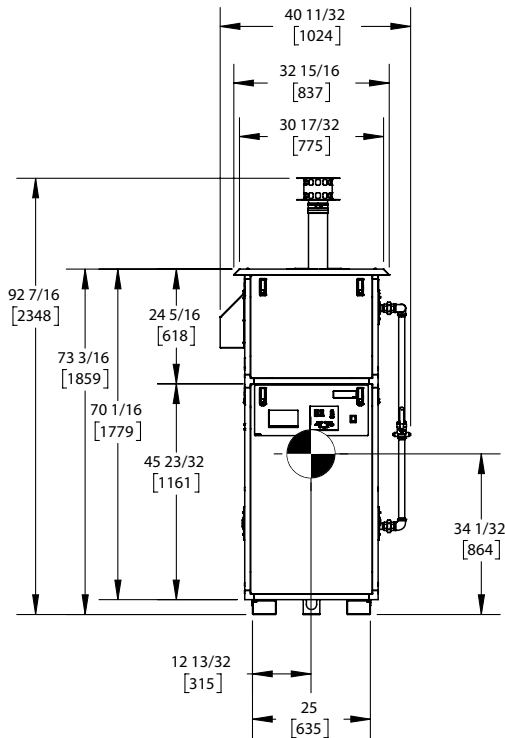
SIDE VIEW
ASUB-33_E



BOTTOM VIEW
ASUB-33_E



REAR VIEW
ASUB-33_E



FRONT VIEW
ASUB-33_E

NOTES:

1. \odot SYMBOL INDICATES CENTER OF GRAVITY.
2. DIMENSIONS ARE NOMINAL AND SUBJECT TO MANUFACTURING VARIATION AND SHOULD NOT BE USED FOR "ROUGHING IN".
3. ALL DIMENSIONS ARE INCHES [mm].

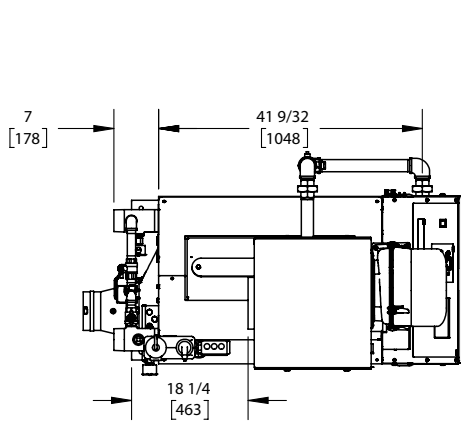
KN-16

Category II or Category IV Appliance
(see Installation and Operation Manual for venting information)

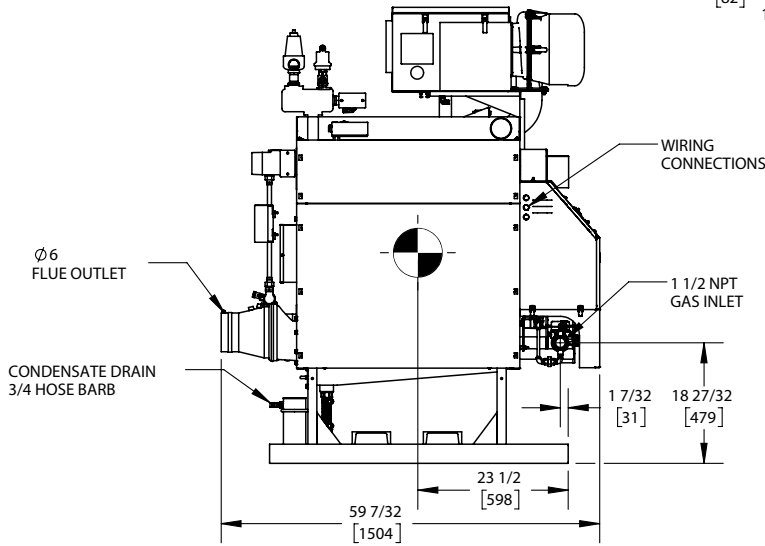
CODE OPTIONS

CSD-1	STANDARD
-------	----------

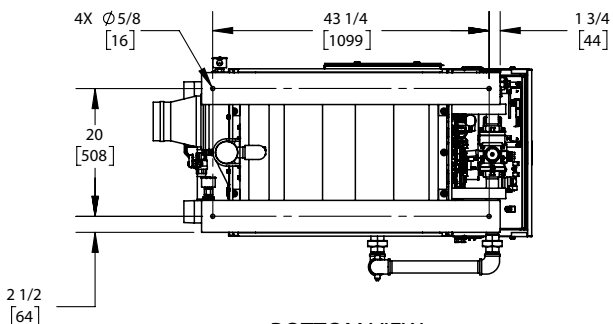
INDOOR UNIT



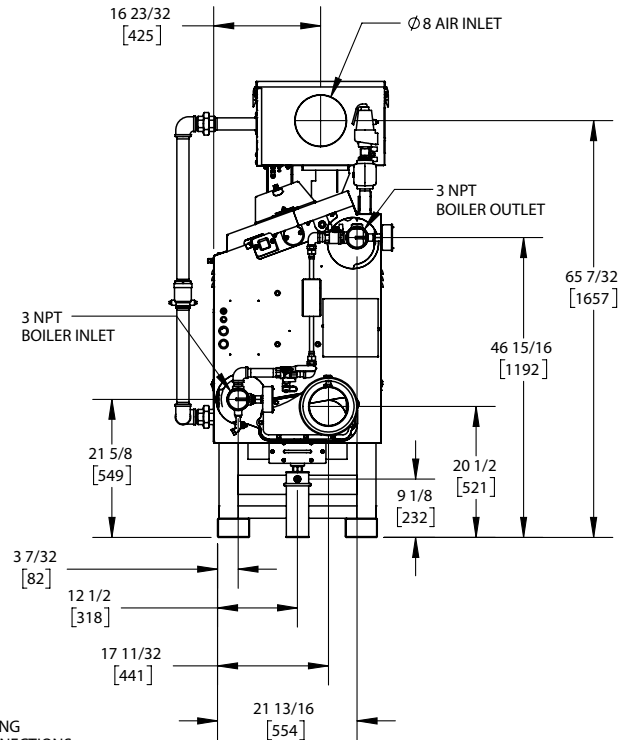
TOP VIEW
ASUB-16_G



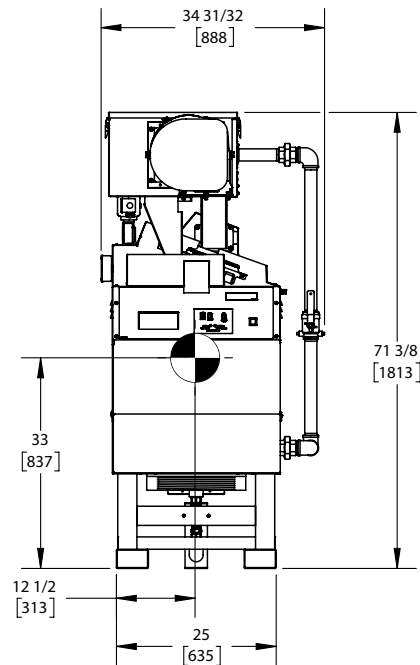
SIDE VIEW
ASUB-16_G



BOTTOM VIEW
ASUB-16_G



REAR VIEW
ASUB-16_G



FRONT VIEW
ASUB-16_G

NOTES:

1. SYMBOL INDICATES CENTER OF GRAVITY.
2. DIMENSIONS ARE NOMINAL AND SUBJECT TO MANUFACTURING VARIATION AND SHOULD NOT BE USED FOR "ROUGHING IN".
3. ALL DIMENSIONS ARE INCHES [mm].



A.G.A. CERTIFIED RATINGS & CAPACITIES

Fuel Type	Natural/LP Gas	Boiler FLA	13.1 A*
Input BTU/hr.	1600 MBH / 469 KW	Min. Gas Pressure Required	3" W.C.
Output BTU/hr.	1440 MBH / 422 KW	Max. Gas Pressure Allowed	14" W.C.
Boiler HP	43.0	Water Volume	17.9 gal.
Electrical Requirements	230VAC/60 hz/1PH (with neutral)	Operating Weight	2360 lbs. / 1070 kg.
SCCR Rating	5kA		

BOILER TRIM & CONTROLS

Main Gas Valve	Dungs MBC	Air Switch	Huba
Firing Valve	1-1/2" Apollo	Flow Sensor	SIKA
Ignition Control	Honeywell RM7895C	Blocked Flue Switch	Cleveland NS2
Operating Control	HeatNet®	Blower Motor	Ametek
High Limit	Honeywell L4006E	L.W.C.O.	800
Main Ball Valve	1-1/2" Apollo	Relief Valve	30, 50, 75 & 100 PSI
Pilot Cock	1/4" Conbraco	Pilot Regulator	Maxitrol RV12LT

A.S.M.E.

ASME Sect IV Fire Side Htg Surface	59.84 Sq. Ft. / 5.56 Sq. M.	Design Data	100 PSI & 250°F
ASME Sect IV Water Side Htg Surface	63.98 Sq. Ft. / 5.94 Sq. M.		
CV. GPM (1PSID)	140		

*Add circulator amps.

TEMPERATURE RISE / PRESSURE DROP (Based on Full Input)

20°F / 11.1°C				40°F / 22.2°C				60°F / 33.3°C				80°F / 44.4°C				100°F / 55.5°C			
Flow Rate		Pressure Drop		Flow Rate		Pressure Drop		Flow Rate		Pressure Drop		Flow Rate		Pressure Drop		Flow Rate		Pressure Drop	
GPM	L/s	Ft	kPa	GPM	L/s	Ft	kPa	GPM	L/s	Ft	kPa	GPM	L/s	Ft	kPa	GPM	L/s	Ft	kPa
144.1	9.10	2.44	7.30	72.0	4.50	.61	1.80	48.0	3.00	.27	.80	36.0	2.30	.15	.50	28.8	1.80	.10	.30

Flow GPM		Temp. Rise** (°F)		Vent Length (Equiv. Ft.)		Air Inlet Length (Equiv. Ft.)	
Min	Max	Min	Max	Min	Max	Min	Max
28.8	144.1	20	100	6	120	0	120

**Min/Max delta t reflects boiler operation at full input. For applications requiring operation above/below these parameters please consult factory.

REP FIRM	_____
SUBMITTED BY	_____
JOB NAME	_____
ARCHITECT	_____
ENGINEER	_____
CONTRACTOR	_____
DATE	_____

KN-16

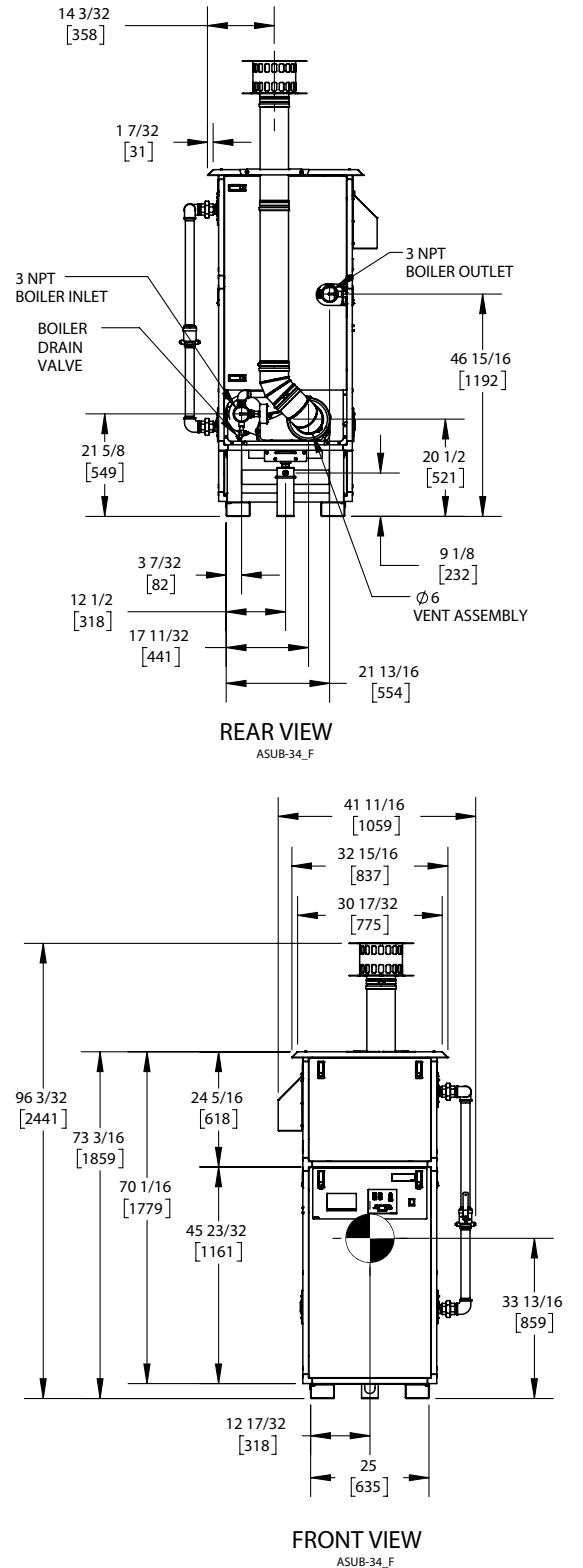
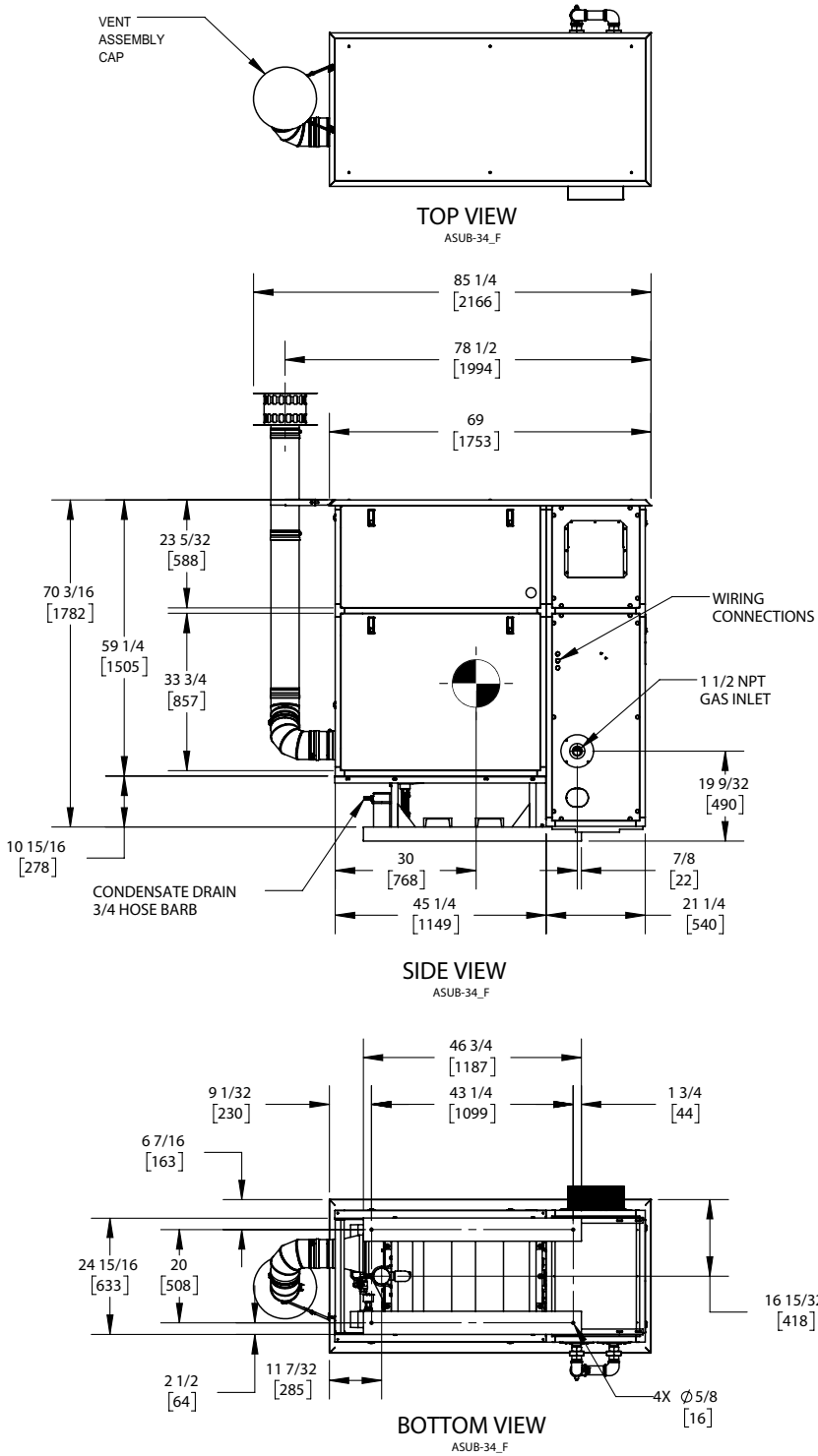
Category II or Category IV Appliance
(see Installation and Operation Manual for venting information)



A Division of Mestek, Inc.
Westfield, MA 01085
(413) 564-5515

KN-16

OUTDOOR UNIT



NOTES:

1. - SYMBOL INDICATES CENTER OF GRAVITY.
2. DIMENSIONS ARE NOMINAL AND SUBJECT TO MANUFACTURING VARIATION AND SHOULD NOT BE USED FOR "ROUGHING IN".
3. ALL DIMENSIONS ARE INCHES [mm].

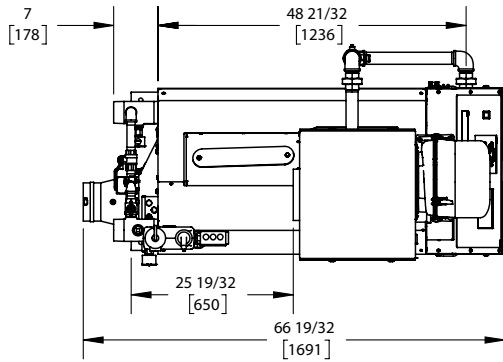
KN-20

Category II or Category IV Appliance
(see Installation and Operation Manual for venting information)

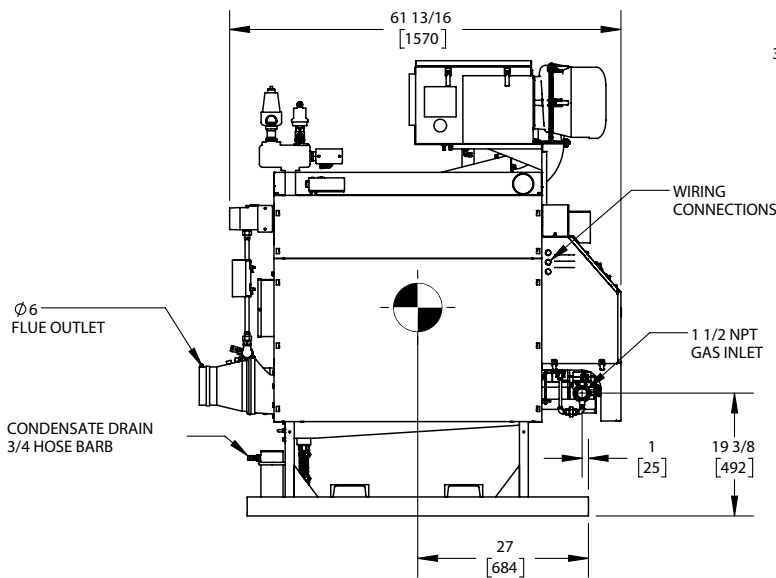
CODE OPTIONS

CSD-1	STANDARD
-------	----------

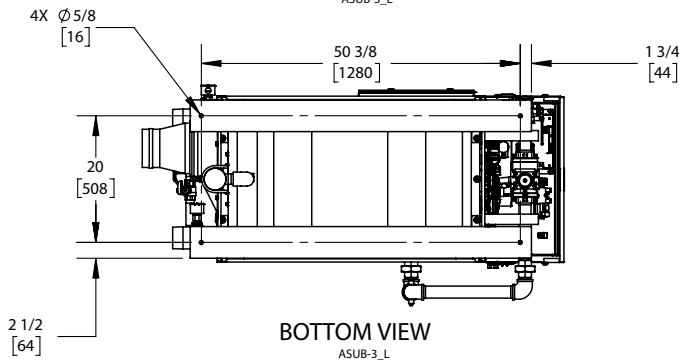
INDOOR UNIT



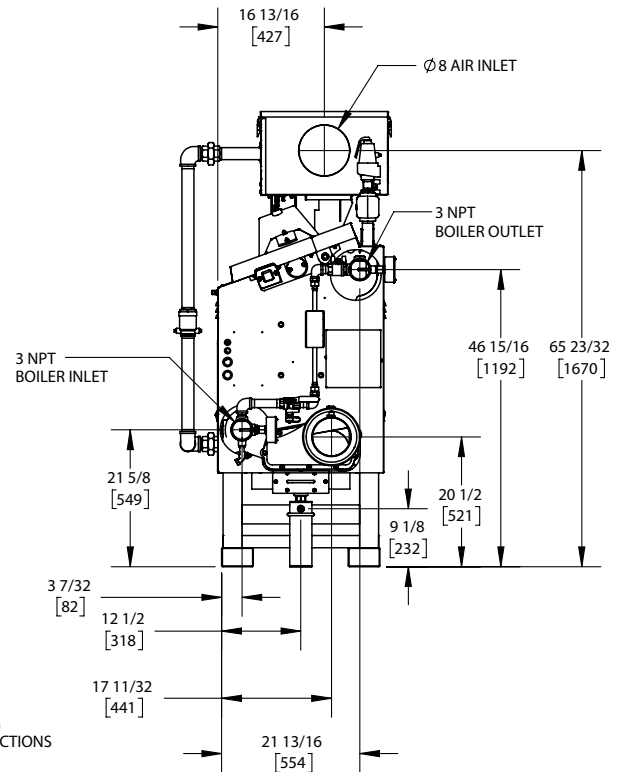
TOP VIEW
ASUB-3_L



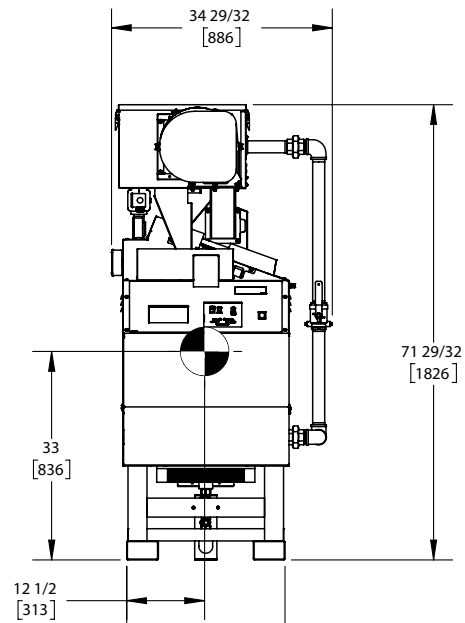
SIDE VIEW
ASUB-3_L



BOTTOM VIEW
ASUB-3_L



REAR VIEW
ASUB-3_L



FRONT VIEW
ASUB-3_L

NOTES:

1. SYMBOL INDICATES CENTER OF GRAVITY.
2. DIMENSIONS ARE NOMINAL AND SUBJECT TO MANUFACTURING VARIATION AND SHOULD NOT BE USED FOR "ROUGHING IN".
3. ALL DIMENSIONS ARE INCHES [mm].



A.G.A. CERTIFIED RATINGS & CAPACITIES

Fuel Type	Natural/LP Gas	Boiler FLA	13.1 A*
Input BTU/hr.	1999 MBH / 586 KW	Min. Gas Pressure Required	3" W.C.
Output BTU/hr.	1799 MBH / 527 KW	Max. Gas Pressure Allowed	14" W.C.
Boiler HP	53.7	Water Volume	21.9 gal.
Electrical Requirements	230VAC/60 hz/1PH (with neutral)	Operating Weight	2714 lbs. / 1232 kg.
SCCR Rating	5kA		

BOILER TRIM & CONTROLS

Main Gas Valve	Dungs MBC	Air Switch	Huba
Firing Valve	1-1/2" Apollo	Flow Sensor	SIKA
Ignition Control	Honeywell RM7895C	Blocked Flue Switch	Cleveland NS2
Operating Control	HeatNet®	Blower Motor	Ametek
High Limit	Honeywell L4006E	L.W.C.O.	800
Main Ball Valve	1-1/2" Apollo	Relief Valve	30, 50, 75 & 100 PSI
Pilot Cock	1/4" Conbraco	Pilot Regulator	Maxitrol RV12LT

A.S.M.E.

ASME Sect IV Fire Side Htg Surface	73.14 Sq. Ft. / 6.80 Sq. M.	Design Data	100 PSI & 250°F
ASME Sect IV Water Side Htg Surface	78.20 Sq. Ft. / 7.26 Sq. M.		
CV. GPM (1PSID)	161		

*Add circulator amps.

TEMPERATURE RISE / PRESSURE DROP (Based on Full Input)

20°F / 11.1°C				40°F / 22.2°C				60°F / 33.3°C				80°F / 44.4°C				100°F / 55.5°C			
Flow Rate		Pressure Drop		Flow Rate		Pressure Drop		Flow Rate		Pressure Drop		Flow Rate		Pressure Drop		Flow Rate		Pressure Drop	
GPM	L/s	Ft	kPa	GPM	L/s	Ft	kPa	GPM	L/s	Ft	kPa	GPM	L/s	Ft	kPa	GPM	L/s	Ft	kPa
180.0	11.40	2.88	8.60	90.0	5.70	.72	2.20	60.0	3.80	.32	1.00	45.0	2.80	.18	.50	36.0	2.30	.12	.30

Flow GPM		Temp. Rise** (°F)		Vent Length (Equiv. Ft.)		Air Inlet Length (Equiv. Ft.)	
Min	Max	Min	Max	Min	Max	Min	Max
36.0	180.0	20	100	6	120	0	120

**Min/Max delta t reflects boiler operation at full input. For applications requiring operation above/below these parameters please consult factory.

REP FIRM	_____
SUBMITTED BY	_____
JOB NAME	_____
ARCHITECT	_____
ENGINEER	_____
CONTRACTOR	_____
DATE	_____

KN-20

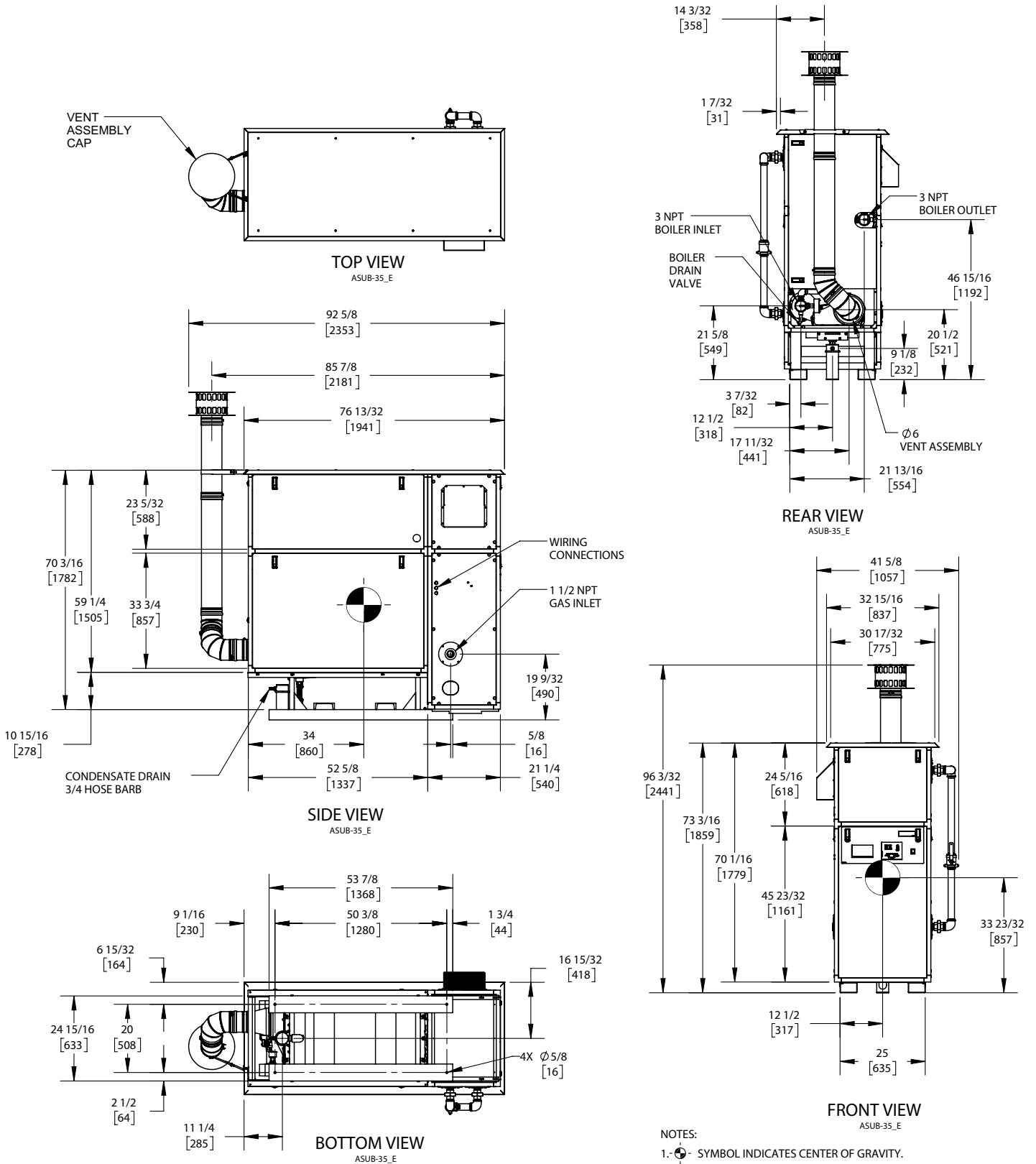
Category II or Category IV Appliance
(see Installation and Operation Manual for venting information)



A Division of Mestek, Inc.
Westfield, MA 01085
(413) 564-5515

KN-20

OUTDOOR UNIT



NOTES:

1. SYMBOL INDICATES CENTER OF GRAVITY.
2. DIMENSIONS ARE NOMINAL AND SUBJECT TO MANUFACTURING VARIATION AND SHOULD NOT BE USED FOR "ROUGHING IN".
3. ALL DIMENSIONS ARE INCHES [mm].

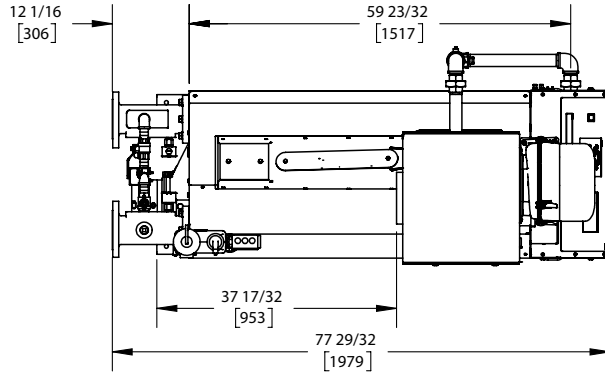
KN-26

Category II or Category IV Appliance
(see Installation and Operation Manual for venting information)

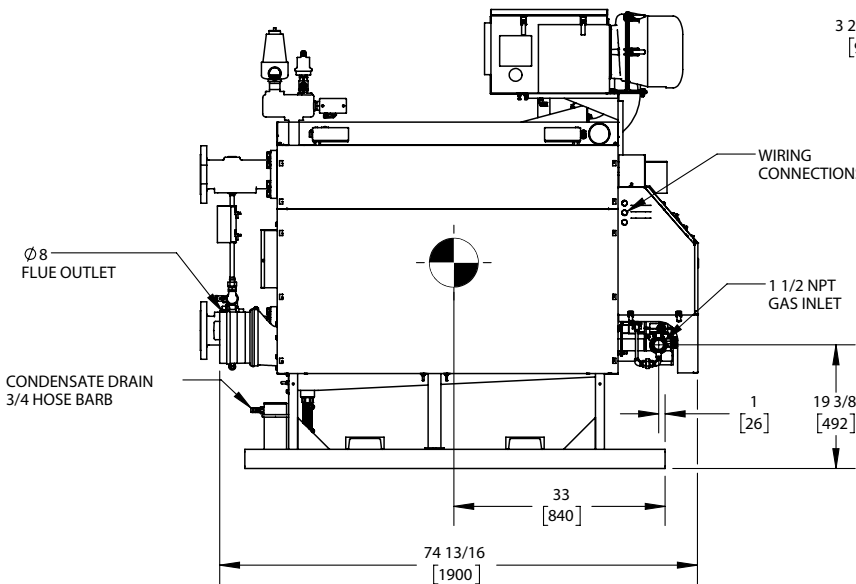
CODE OPTIONS

CSD-1	STANDARD
-------	----------

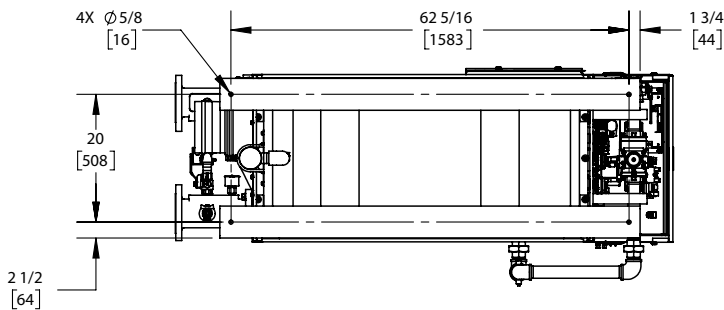
INDOOR UNIT



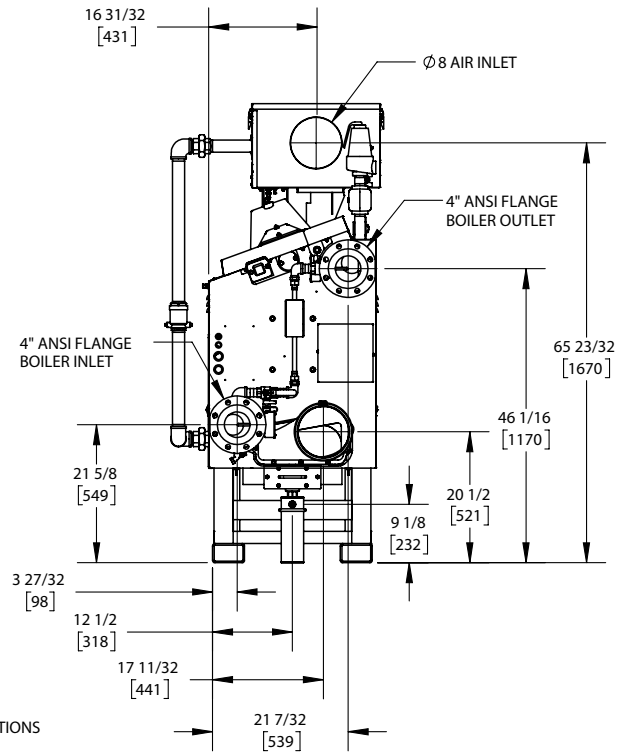
TOP VIEW
ASUB-12_F



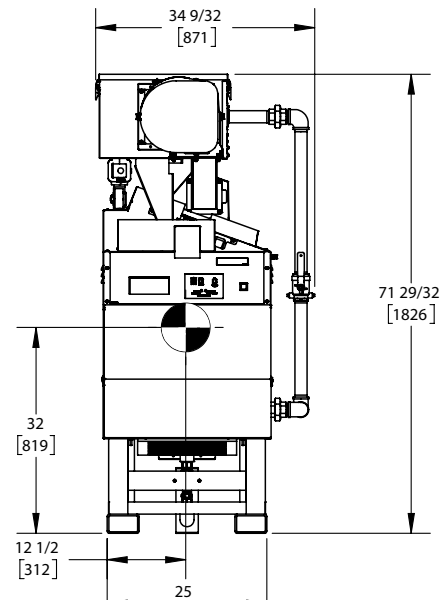
SIDE VIEW
ASUB-12_F



BOTTOM VIEW
ASUB-12_F



REAR VIEW
ASUB-12_F



FRONT VIEW
ASUB-12_F

NOTES:

1. SYMBOL INDICATES CENTER OF GRAVITY.
2. DIMENSIONS ARE NOMINAL AND SUBJECT TO MANUFACTURING VARIATION AND SHOULD NOT BE USED FOR "ROUGHING IN".
3. ALL DIMENSIONS ARE INCHES [mm].



A.G.A. CERTIFIED RATINGS & CAPACITIES

Fuel Type	Natural/LP Gas	Boiler FLA	10.7 A*
Input BTU/hr.	2600 MBH / 762 KW	Min. Gas Pressure Required	3" W.C.
Output BTU/hr.	2340 MBH / 686 KW	Max. Gas Pressure Allowed	14" W.C.
Boiler HP	70	Water Volume	27.7 gal.
Electrical Requirements	230VAC/60 hz/3PH	Operating Weight	3425 lbs. / 1555 kg.
SCCR Rating	5kA		

BOILER TRIM & CONTROLS

Main Gas Valve	Dungs MBC	Air Switch	Huba
Firing Valve	1-1/2" Apollo	Flow Sensor	SIKA
Ignition Control	Honeywell RM7895C	Blocked Flue Switch	Cleveland NS2
Operating Control	HeatNet®	Blower Motor	Ametek
High Limit (Manual Reset)	Honeywell L4006E	L.W.C.O.	800
High Limit (Auto Reset)	Honeywell L4006A	Relief Valve	30, 50, 75 & 100 PSI
Main Ball Valve	1-1/2" Apollo	Pilot Regulator	Maxitrol RV12LT
Pilot Cock	1/4" Conbraco		

A.S.M.E.

ASME Sect IV Fire Side Htg Surface	93.08 Sq. Ft. / 8.65 Sq. M.	Design Data	100 PSI & 250°F
ASME Sect IV Water Side Htg Surface	99.53 Sq. Ft. / 9.25 Sq. M.		
CV. GPM (1PSID)	222		


*Add circulator amps.

TEMPERATURE RISE / PRESSURE DROP (Based on Full Input)

20°F / 11.1°C				40°F / 22.2°C				60°F / 33.3°C				80°F / 44.4°C				100°F / 55.5°C			
Flow Rate		Pressure Drop		Flow Rate		Pressure Drop		Flow Rate		Pressure Drop		Flow Rate		Pressure Drop		Flow Rate		Pressure Drop	
GPM	L/s	Ft	kPa	GPM	L/s	Ft	kPa	GPM	L/s	Ft	kPa	GPM	L/s	Ft	kPa	GPM	L/s	Ft	kPa
234.1	14.80	2.57	7.70	117.0	7.40	.64	1.90	78.0	4.90	.29	.90	58.5	3.70	.16	.50	46.8	3.00	.10	.30

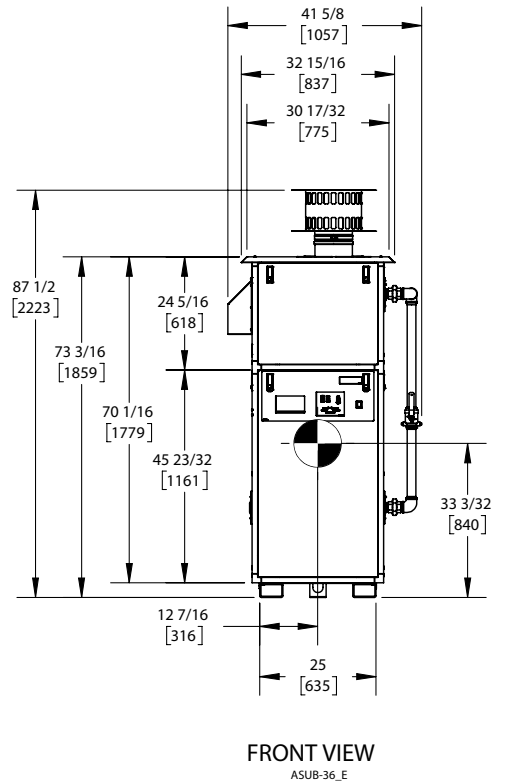
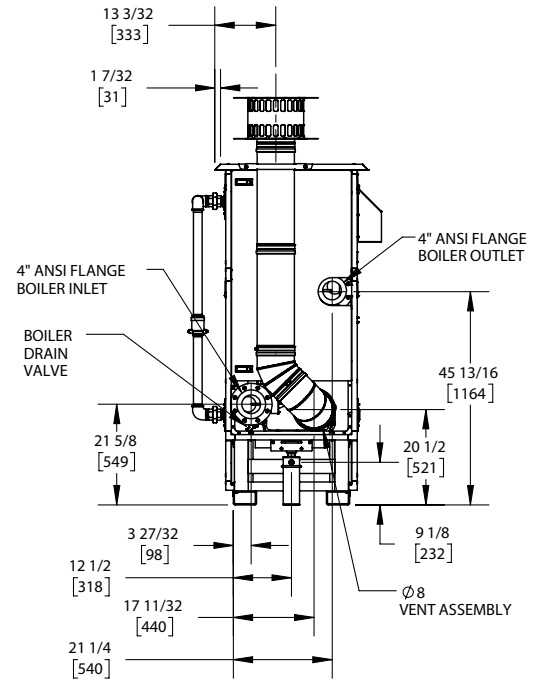
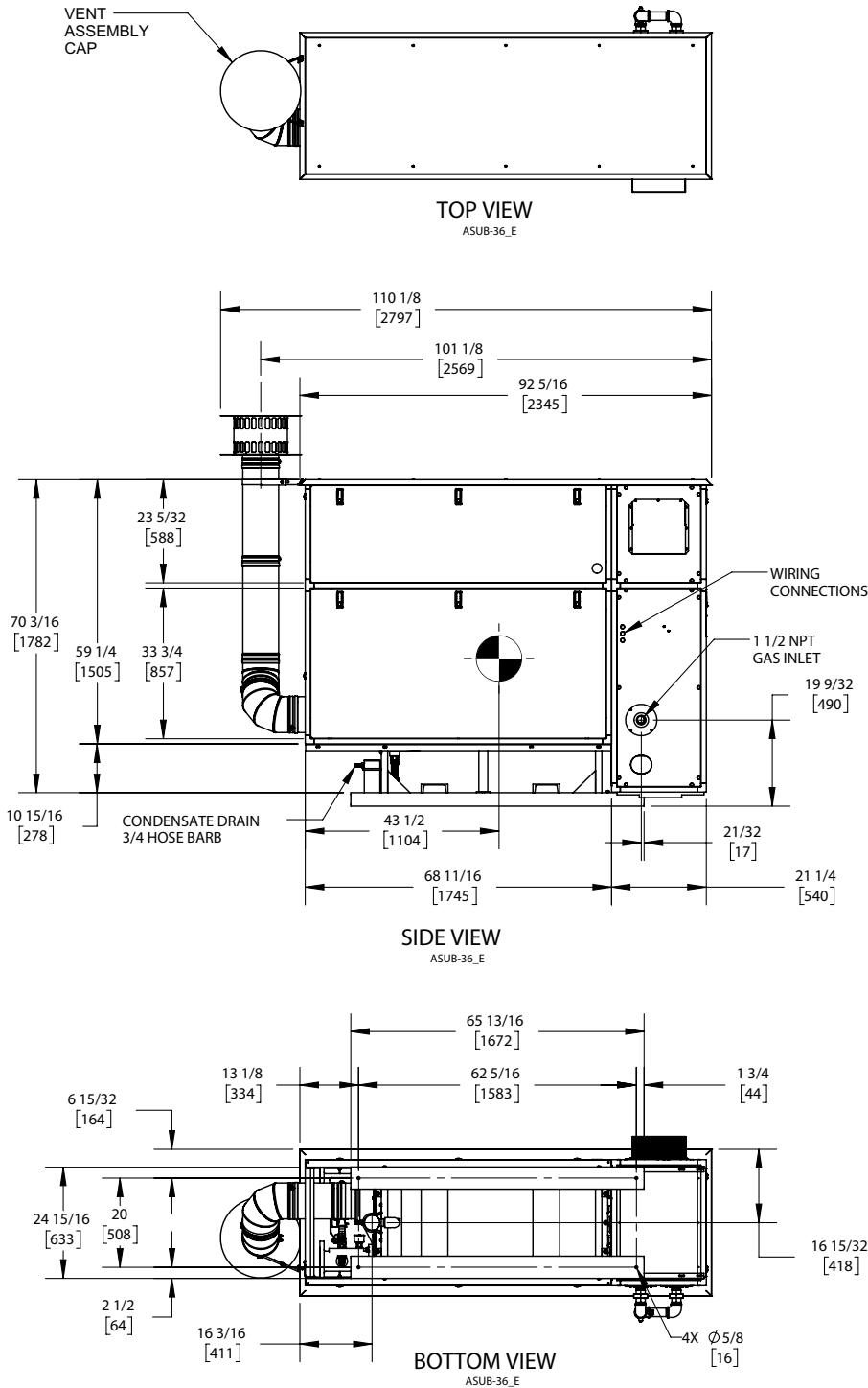
Flow GPM				Temp. Rise** (°F)				Vent Length (Equiv. Ft.)				Air Inlet Length (Equiv. Ft.)			
Min		Max		Min		Max		Min		Max		Min		Max	
46.8		234.1		20		100		6		120		0		120	

**Min/Max delta t reflects boiler operation at full input. For applications requiring operation above/below these parameters please consult factory.

REP FIRM	_____	<h1 style="margin: 0;">KN-26</h1> <p style="margin: 0;">Category II or Category IV Appliance (see Installation and Operation Manual for venting information)</p>
SUBMITTED BY	_____	
JOB NAME	_____	
ARCHITECT	_____	
ENGINEER	_____	
CONTRACTOR	_____	
DATE	_____	
		A Division of Mestek, Inc. Westfield, MA 01085 (413) 564-5515

KN-26

OUTDOOR UNIT



NOTES:

1. SYMBOL INDICATES CENTER OF GRAVITY.
2. DIMENSIONS ARE NOMINAL AND SUBJECT TO MANUFACTURING VARIATION AND SHOULD NOT BE USED FOR "ROUGHING IN".
3. ALL DIMENSIONS ARE INCHES [mm].

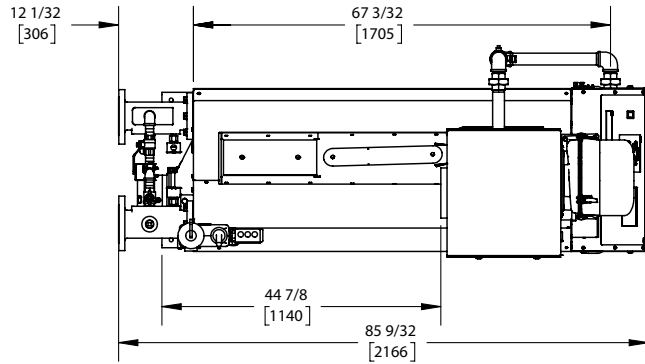
KN-30

Category II or Category IV Appliance
 (see Installation and Operation Manual for venting information)

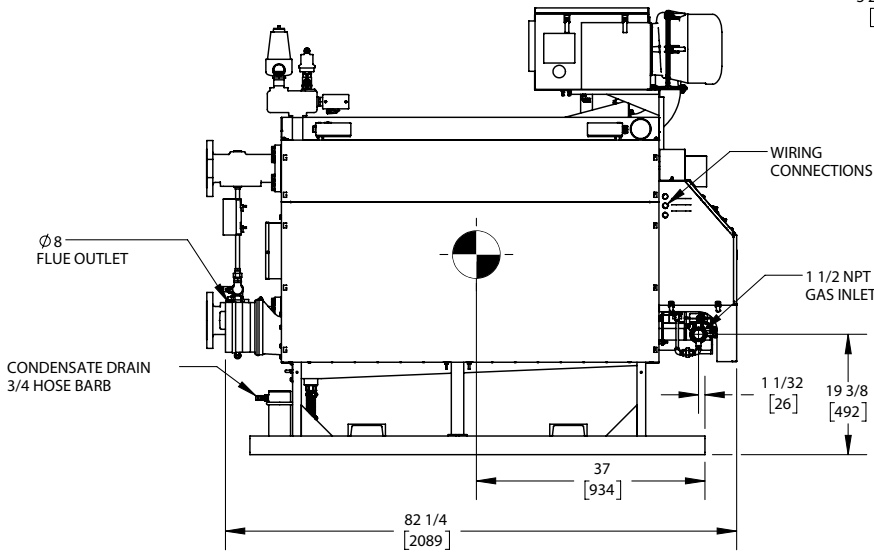
CODE OPTIONS

CSD-1	STANDARD
-------	----------

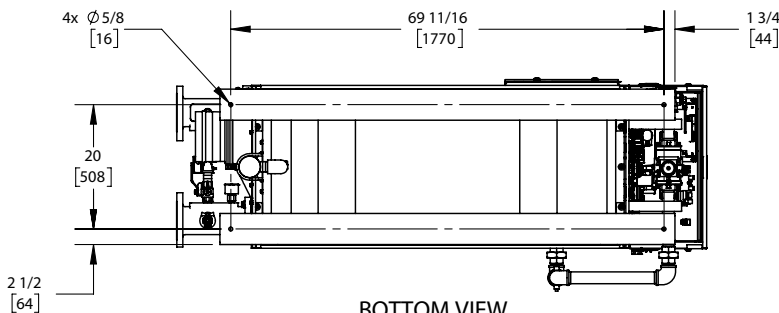
INDOOR UNIT



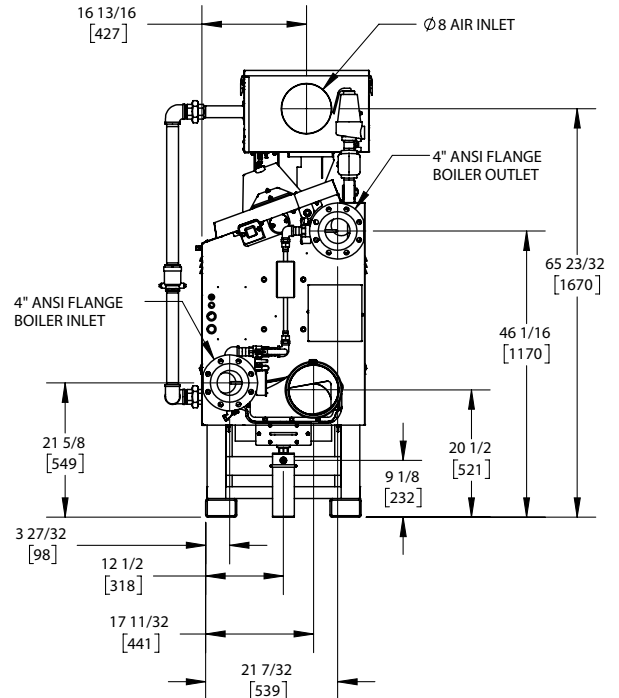
TOP VIEW
ASUB-10_G



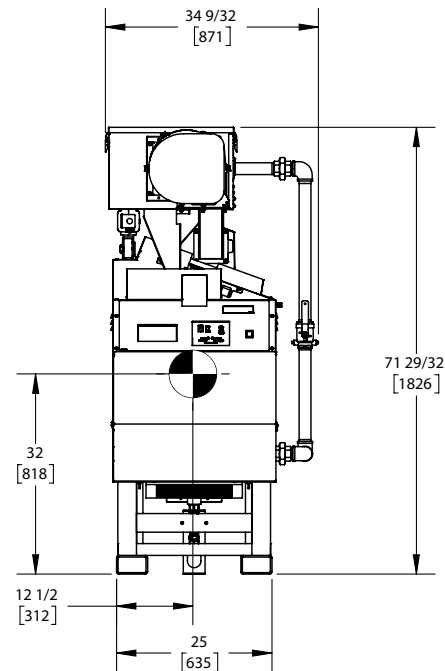
SIDE VIEW
ASUB-10_G



BOTTOM VIEW
ASUB-10_G



REAR VIEW
ASUB-10_G



FRONT VIEW
ASUB-10_G

NOTES:

1. SYMBOL INDICATES CENTER OF GRAVITY.
2. DIMENSIONS ARE NOMINAL AND SUBJECT TO MANUFACTURING VARIATION AND SHOULD NOT BE USED FOR "ROUGHING IN".
3. ALL DIMENSIONS ARE INCHES [mm].



A.G.A. CERTIFIED RATINGS & CAPACITIES

Fuel Type	Natural/LP Gas	Boiler FLA	10.7 A*
Input BTU/hr.	3000 MBH / 879 KW	Min. Gas Pressure Required	3" W.C.
Output BTU/hr.	2700 MBH / 791 KW	Max. Gas Pressure Allowed	14" W.C.
Boiler HP	80.7	Water Volume	31.7 gal.
Electrical Requirements	230VAC/60 hz/3PH	Operating Weight	3850 lbs. / 1748 kg.
SCCR Rating	5kA		

BOILER TRIM & CONTROLS

Main Gas Valve	Dungs MBC	Air Switch	Huba
Firing Valve	1-1/2" Apollo	Flow Sensor	SIKA
Ignition Control	Honeywell RM7895C	Blocked Flue Switch	Cleveland NS2
Operating Control	HeatNet®	Blower Motor	Ametek
High Limit (Manual Reset)	Honeywell L4006E	L.W.C.O.	800
High Limit (Auto Reset)	Honeywell L4006A	Relief Valve	30, 50, 75 & 100 PSI
Main Ball Valve	1-1/2" Apollo	Pilot Regulator	Maxitrol RV12LT
Pilot Cock	1/4" Conbraco		

A.S.M.E.

ASME Sect IV Fire Side Htg Surface	106.38 Sq. Ft. / 9.88 Sq. M.	Design Data	100 PSI & 250°F
ASME Sect IV Water Side Htg Surface	113.74 Sq. Ft. / 10.57 Sq. M.		
CV. GPM (1PSID)	246		


*Add circulator amps.

TEMPERATURE RISE / PRESSURE DROP (Based on Full Input)

20°F / 11.1°C				40°F / 22.2°C				60°F / 33.3°C				80°F / 44.4°C				100°F / 55.5°C			
Flow Rate		Pressure Drop		Flow Rate		Pressure Drop		Flow Rate		Pressure Drop		Flow Rate		Pressure Drop		Flow Rate		Pressure Drop	
GPM	L/s	Ft	kPa	GPM	L/s	Ft	kPa	GPM	L/s	Ft	kPa	GPM	L/s	Ft	kPa	GPM	L/s	Ft	kPa
270.1	17.0	2.78	8.30	135.1	8.50	.70	2.10	90.0	5.70	.31	.90	67.5	4.30	.17	.50	54.0	3.40	.11	.30

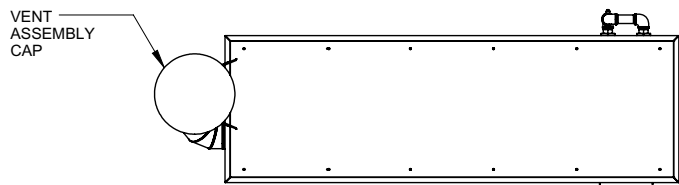
Flow GPM				Temp. Rise** (°F)				Vent Length (Equiv. Ft.)				Air Inlet Length (Equiv. Ft.)			
Min		Max		Min		Max		Min		Max		Min		Max	
54.4		270.1		20		100		6		120		0		120	

**Min/Max delta t reflects boiler operation at full input. For applications requiring operation above/below these parameters please consult factory.

REP FIRM	_____	<h1 style="margin: 0;">KN-30</h1> <p style="margin: 0;">Category II or Category IV Appliance (see Installation and Operation Manual for venting information)</p>  <p>A Division of Mestek, Inc. Westfield, MA 01085 (413) 564-5515</p>
SUBMITTED BY	_____	
JOB NAME	_____	
ARCHITECT	_____	
ENGINEER	_____	
CONTRACTOR	_____	
DATE	_____	

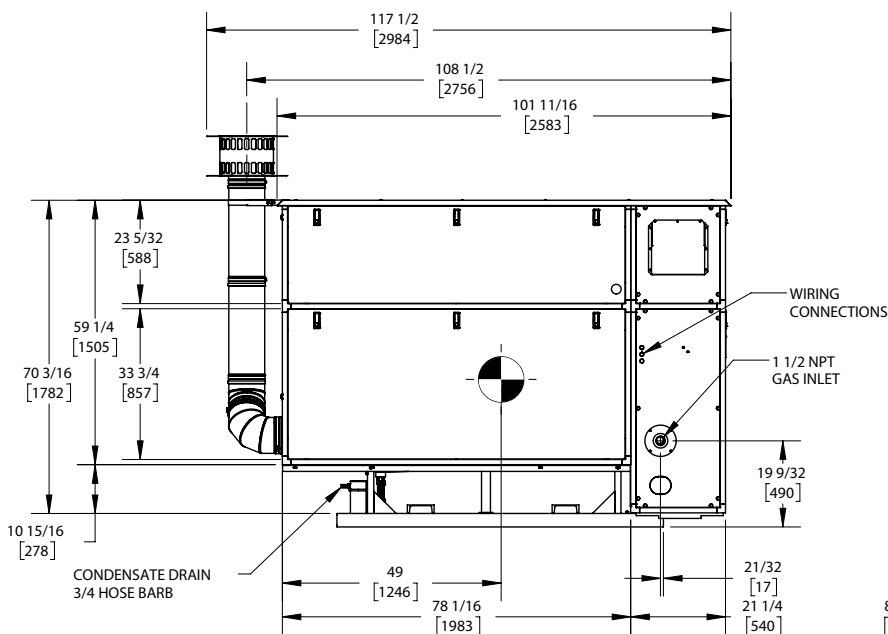
KN-30

OUTDOOR UNIT



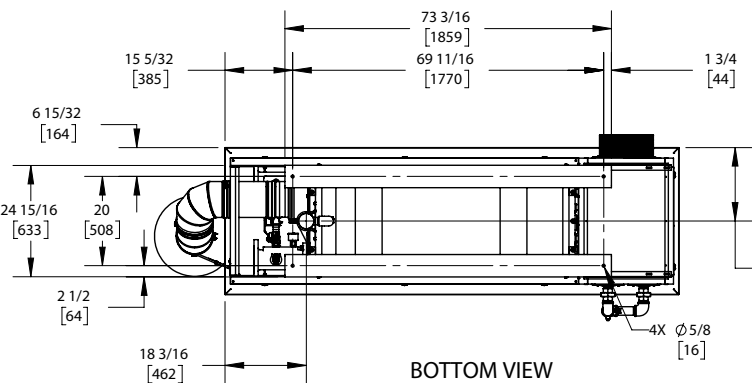
TOP VIEW

ASUB-37_E



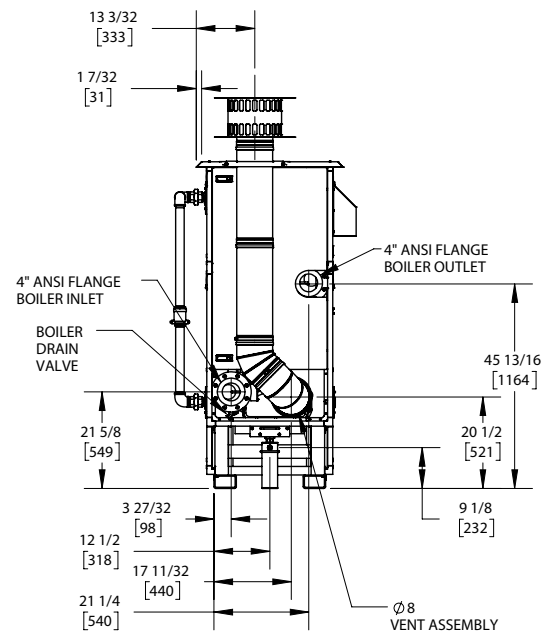
SIDE VIEW

ASUB-37_E



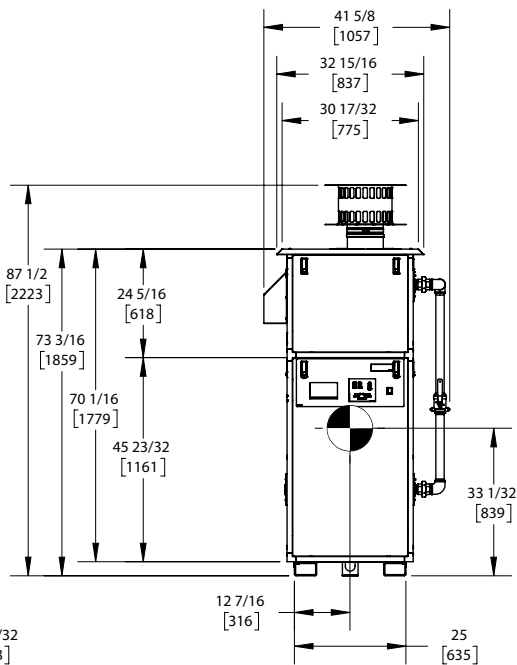
BOTTOM VIEW

ASUB-37_E



REAR VIEW

ASUB-37_E



FRONT VIEW

ASUB-37_E

NOTES:

1. SYMBOL INDICATES CENTER OF GRAVITY.
2. DIMENSIONS ARE NOMINAL AND SUBJECT TO MANUFACTURING VARIATION AND SHOULD NOT BE USED FOR "ROUGHING IN".
3. ALL DIMENSIONS ARE INCHES [mm].

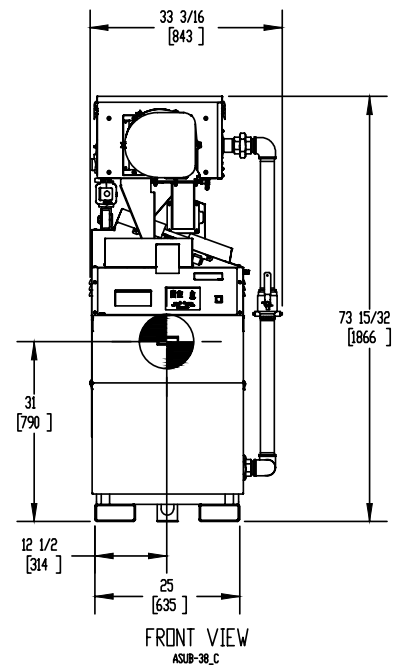
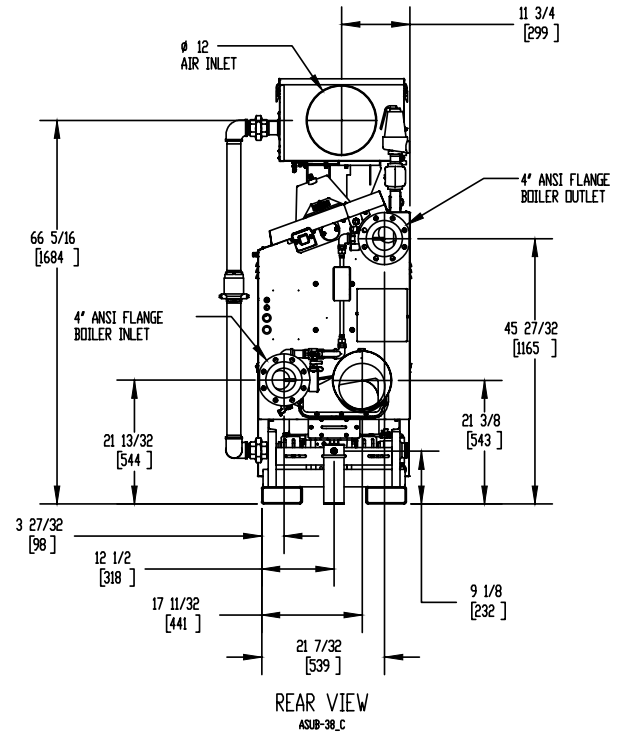
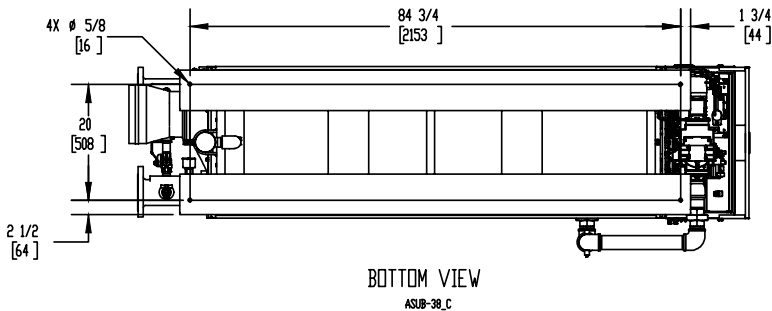
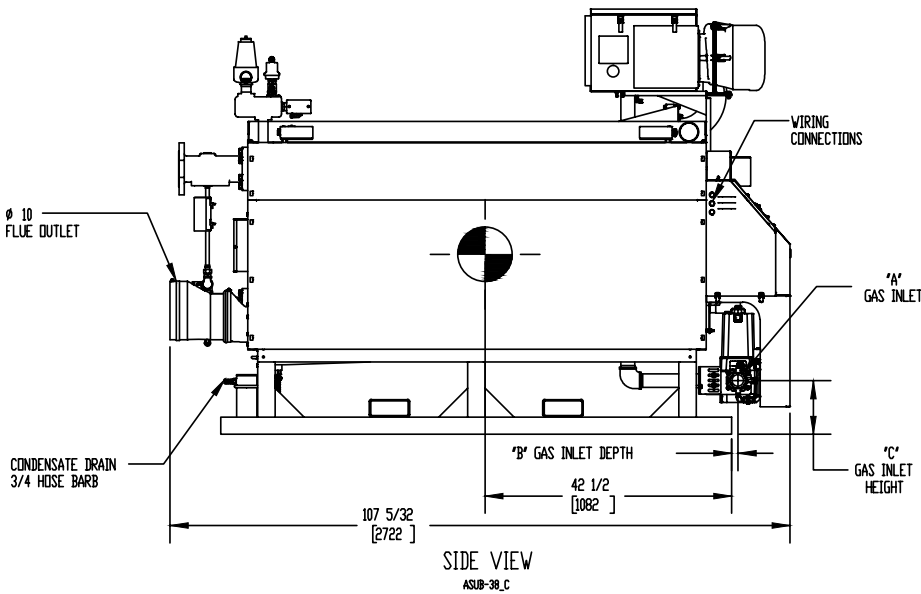
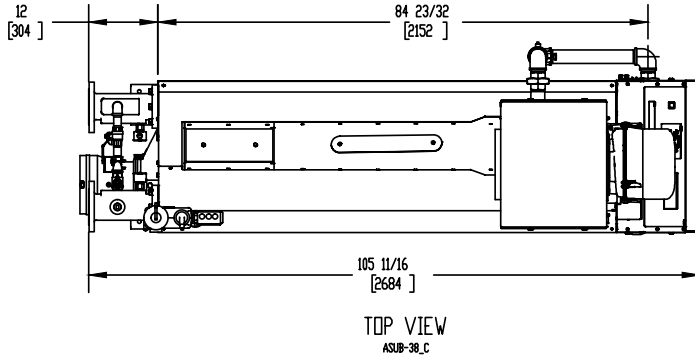
KN-40

Category II or Category IV Appliance
(see Installation and Operation Manual for venting information)

CODE OPTIONS

CSD-1	STANDARD
-------	----------

INDOOR UNIT



NOTES:

1. SYMBOL INDICATES CENTER OF GRAVITY.
2. DIMENSIONS ARE NOMINAL AND SUBJECT TO MANUFACTURING VARIATION AND SHOULD NOT BE USED FOR "ROUGHING IN".
3. ALL DIMENSIONS ARE INCHES (mm).

GAS OPTION	"A"	"B"	"C"
NG	2 NPT	1 1/8 [29]	9 3/32 [230]
LP	1 1/2 NPT	1 25/32 [45]	15 29/32 [404]



A.G.A. CERTIFIED RATINGS & CAPACITIES

Fuel Type	Natural/LP Gas	Boiler FLA	14.9 A*
Input BTU/hr.	4000 MBH / 1172 KW	Min. Gas Pressure Required	3" W.C.
Output BTU/hr.	3540 MBH / 1037 KW	Max. Gas Pressure Allowed	14" W.C.
Boiler HP	105.8	Water Volume	41.6 gal.
Electrical Requirements	230VAC/60 hz/3PH	Operating Weight	4627 lbs. / 2101 kg.
SCCR Rating	5kA		

BOILER TRIM & CONTROLS

Main Gas Valve	Dungs MBC	Air Switch	Huba
Firing Valve	2" Apollo	Flow Sensor	SIKA
Ignition Control	Honeywell RM7895C	Blocked Flue Switch	Cleveland NS2
Operating Control	HeatNet®	Blower Motor	Ametek
High Limit (Manual Reset)	Honeywell L4006E	L.W.C.O.	800
High Limit (Auto Reset)	Honeywell L4006A	Relief Valve	30, 50, 75 & 100 PSI
Main Ball Valve	2" Apollo	Pilot Regulator	Maxitrol RV12LT
Pilot Cock	1/4" Conbraco		

A.S.M.E.

ASME Sect IV Fire Side Htg Surface	139.63 Sq. Ft. / 12.97 Sq. M.	Design Data	100 PSI & 250°F
ASME Sect IV Water Side Htg Surface	149.29 Sq. Ft. / 13.87 Sq. M.		
CV. GPM (1PSID)	271		


*Add circulator amps.

TEMPERATURE RISE / PRESSURE DROP (Based on Full Input)

20°F / 11.1°C				40°F / 22.2°C				60°F / 33.3°C				80°F / 44.4°C				100°F / 55.5°C			
Flow Rate		Pressure Drop		Flow Rate		Pressure Drop		Flow Rate		Pressure Drop		Flow Rate		Pressure Drop		Flow Rate		Pressure Drop	
GPM	L/s	Ft	kPa	GPM	L/s	Ft	kPa	GPM	L/s	Ft	kPa	GPM	L/s	Ft	kPa	GPM	L/s	Ft	kPa
354.1	22.3	3.94	11.8	177.1	11.2	.99	2.90	118.0	7.40	.44	1.30	88.5	5.60	.25	.70	70.8	4.50	.16	.50

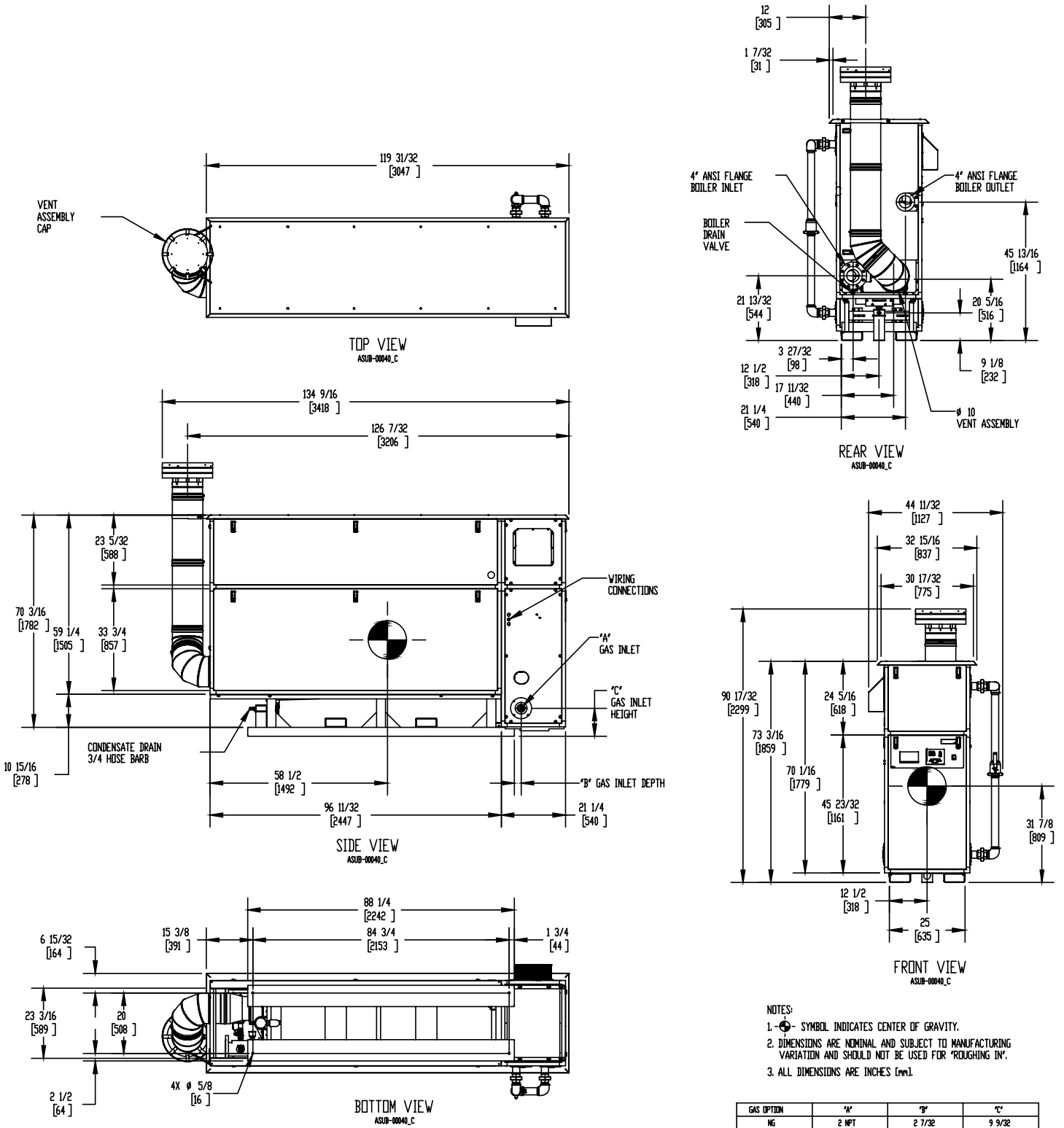
Flow GPM				Temp. Rise** (°F)				Vent Length (Equiv. Ft.)				Air Inlet Length (Equiv. Ft.)			
Min		Max		Min		Max		Min		Max		Min		Max	
70.8		354.1		20		100		6		100		0		100	

**Min/Max delta t reflects boiler operation at full input. For applications requiring operation above/below these parameters please consult factory.

REP FIRM	_____	<div style="background-color: black; color: white; padding: 10px; font-size: 2em; font-weight: bold; margin-bottom: 10px;">KN-40</div> <div style="font-weight: bold; margin-bottom: 5px;">Category II or Category IV Appliance</div> <div style="font-size: 0.8em;">(see Installation and Operation Manual for venting information)</div> <div style="margin-top: 20px;">  <div style="display: inline-block; vertical-align: middle; margin-left: 10px;"> A Division of Mestek, Inc. Westfield, MA 01085 (413) 564-5515 </div> </div>
SUBMITTED BY	_____	
JOB NAME	_____	
ARCHITECT	_____	
ENGINEER	_____	
CONTRACTOR	_____	
DATE	_____	

KN-40

OUTDOOR UNIT



- NOTES:**
- ⊙ SYMBOL INDICATES CENTER OF GRAVITY.
 - DIMENSIONS ARE NOMINAL AND SUBJECT TO MANUFACTURING VARIATION AND SHOULD NOT BE USED FOR "ROUGHING IN".
 - ALL DIMENSIONS ARE INCHES (mm).

GAS OPTION	"A"	"B"	"C"
NG	2 NPT	2 7/32	9 9/32
LP	1 1/2 NPT	2 7/8	16 3/32